



ROWLINSON[®]
GARDEN PRODUCTS

Green Lane, Wardle
Nr. Nantwich, Cheshire, CW5 6BN

www.rowgar.co.uk

Help Line: (Normal Office Hours) 01829 261 121

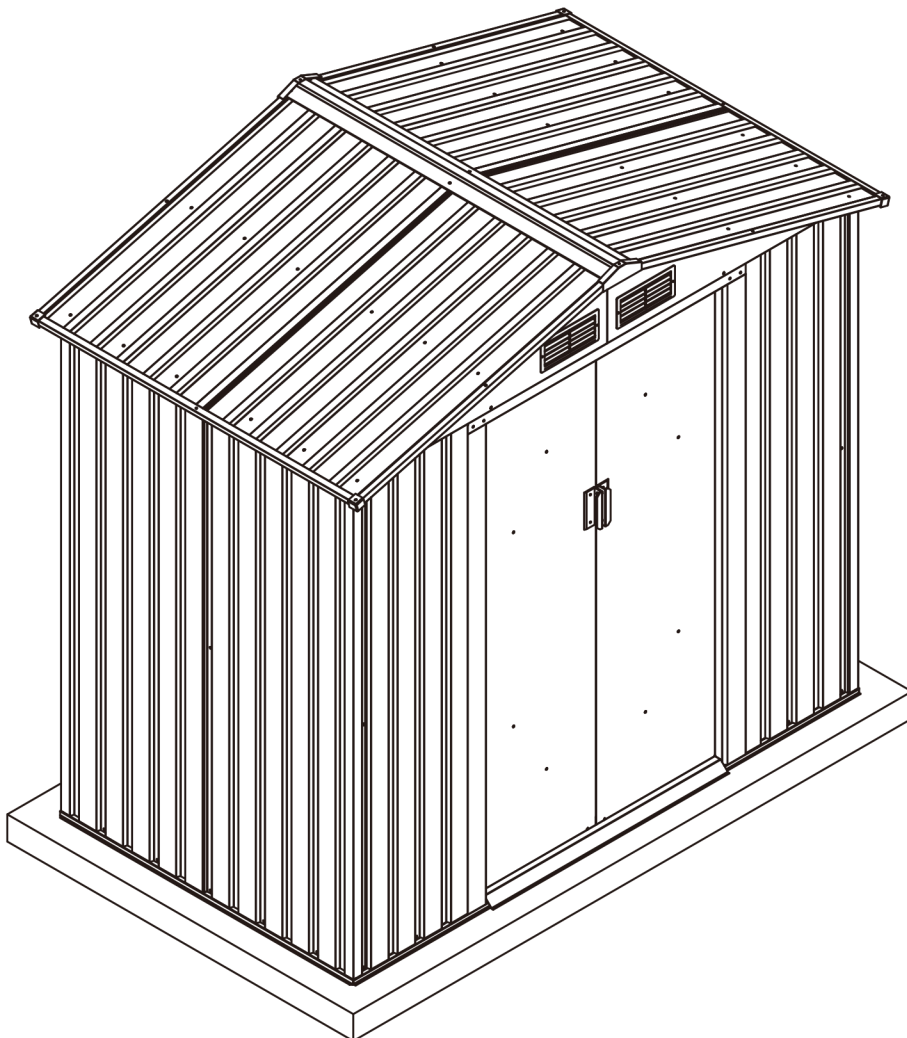
Email: support@rowgar.co.uk

Trentvale 6x4 Apex Metal Shed

ASSEMBLY INSTRUCTIONS

Light Grey: SS533 A

Dark Grey: SS534 A



S1001A

Requires two people and takes 1-2 hours for Installation.

Assembly Preparation

Owner's Manual

Please check local building codes regarding footings, location and other requirements before beginning construction.

Assembly instructions:

Reviewing all instructions and the appropriate information before you begin, make sure following the step sequence carefully for successful results.

Flooring base:

A good location for the storage building is a square and level area with good drainage. The base is not included in the kit which may need purchase separately or may construct a foundation and anchoring system of your own.

A strong plastic sheet (thickness: at least 150µm) should be placed under the foundation to assist in reducing rising dampness from the soil, thus reducing condensation build up in the shed. Your storage building must be anchored to prevent wind damage. Once secured, it is highly recommended applying silicone along the inside of the base rail to minimize condensation.

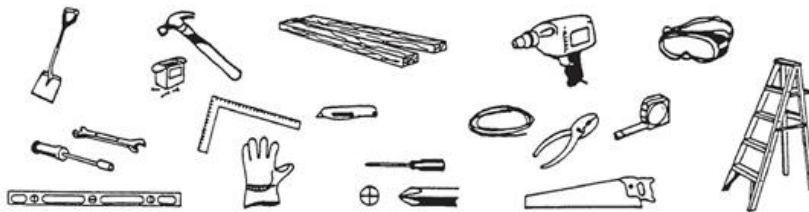
Parts and Parts List:

Before you start, separate and identify all the parts and hardware to be sure that you have all the necessary parts for your building (refer to the Parts List Page).

If you find that a part is missing, please notify the seller within one week after receiving the product. Do not attempt to assemble the building if parts are missing because any building left partially assembled may be seriously damaged by light winds.

Tools you need:

(Please tear off the safety protection layer before the assembly, keep the part number label if needed)



Safety must be put in the No. 1 position:

1. Select a dry and calm day for your assembly. Team works (Two or more people) are required during the assembly. It is also recommended to finish the assembly in a day to avoid damage to the product or missing of some small parts.
2. Wearing safety gloves, eye protection and long sleeves during the assembly to prevent injury. Pay attention to the sharp edge of some parts.
3. Children and pets are not allowed entering into the construction site.
4. Never concentrate your total weight on the roof of the building.
When using a step ladder make sure that it is safe.

Care & Maintenance:

1. Keep the shed clean with soft cloth, use water if necessary.
2. Keep the door tracks clear of dirt and other stuff that prevent them from sliding easily.
3. Clean the snow with necessary tools to make sure it is safe to enter into.
4. The shed is not made for living but storing stuff.
5. Please add some oil on the top and bottom door sliding channel to make door slides smoothly.

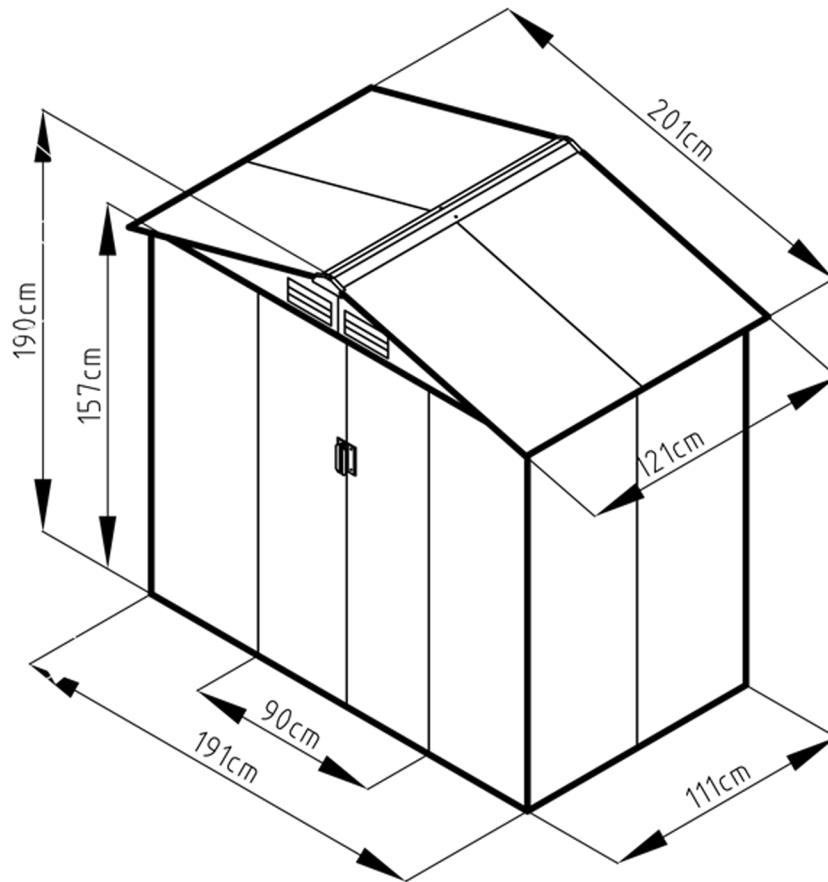
Screwdrivers:

Caution: Power screwdrivers can easily over tighten the screws resulting in splitting the washer and/or stripping the thread of the hole. This can lead to water leaks and inadequately fixed panels. While a power screwdriver can be used to start the screws off, the final few turns and tightening of the screws **MUST** be done using a hand screwdriver.

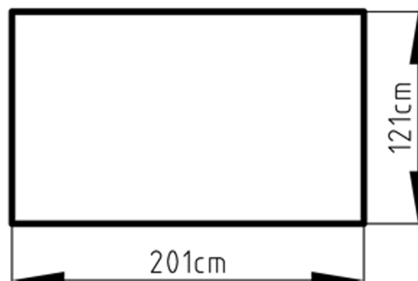
Condensation:

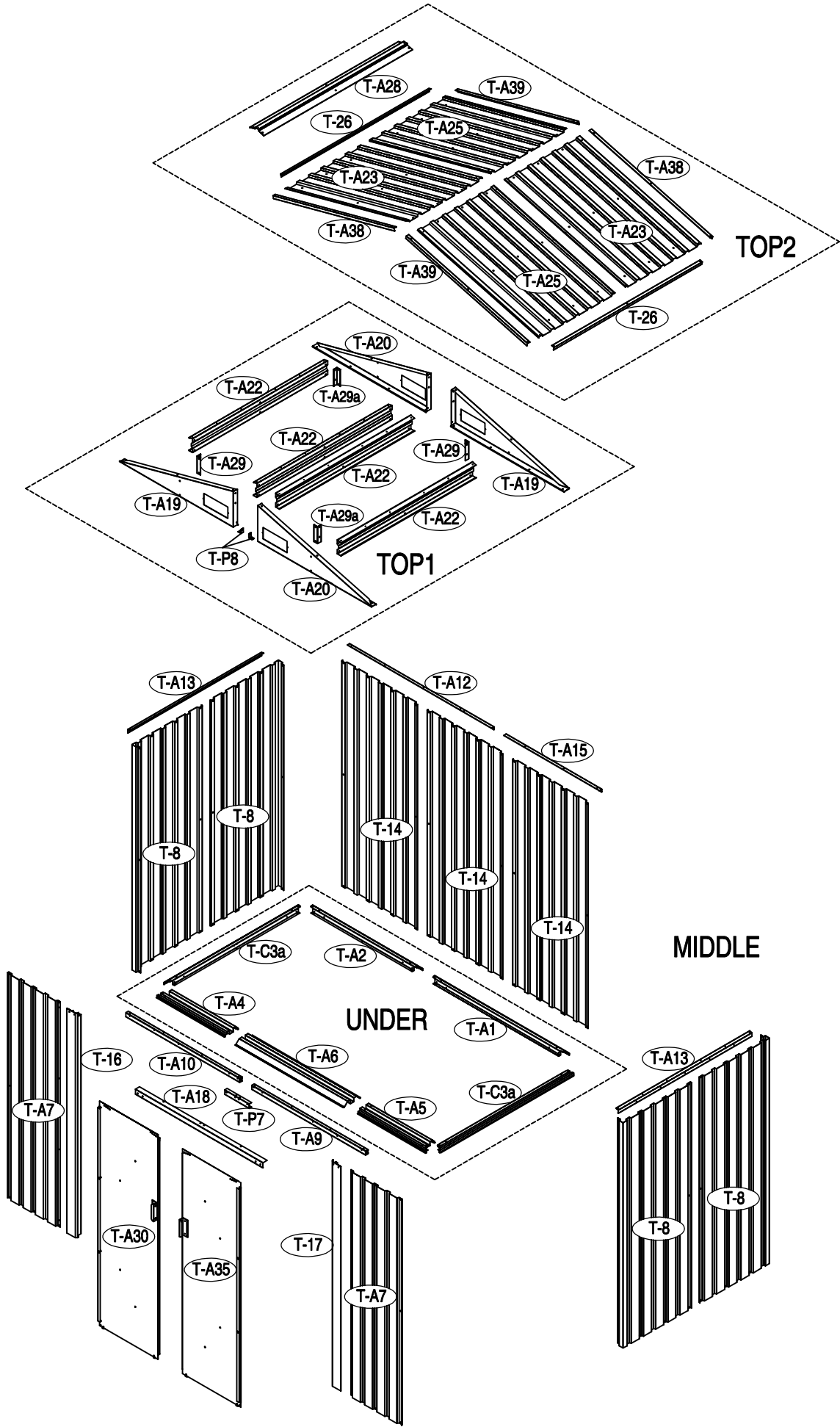
Condensation can form on the inside of any building made of any material. On metal sheds it can sometimes be more obvious. Condensation is the result of warm moist air coming into contact with a cold surface. To minimise the risk of condensation build up; site the shed on a good well drained base that contains a damp proof barrier to prevent moisture rising up through the floor. Ensure any standing water is diverted away from the base of the shed. Make sure there is good air flow through the building, particularly if it's to be left closed up for long periods of time. Do not block any gaps or vents. Leave a gap between the walls and stored items. If needed, Insulating the inside of the roof may also help reduce sudden changes in temperature further reducing condensation build up.

Size of S1001A



Area of installation requirement:





NOTE:It is important that these instructions are followed step by step.

Metal Shed must be installed on a level wooden platform or a level concrete foundation

Wooden platform is extra and is not included.
Don't install under windy conditions.

We recommend to clear your metal shed of snow after each snowfall.

Wooden Platform

The following are a list of lumber and sizes you will need.

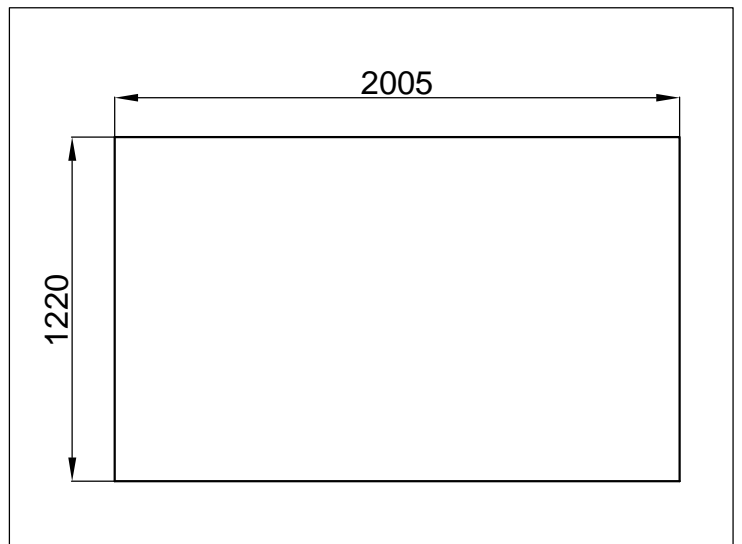
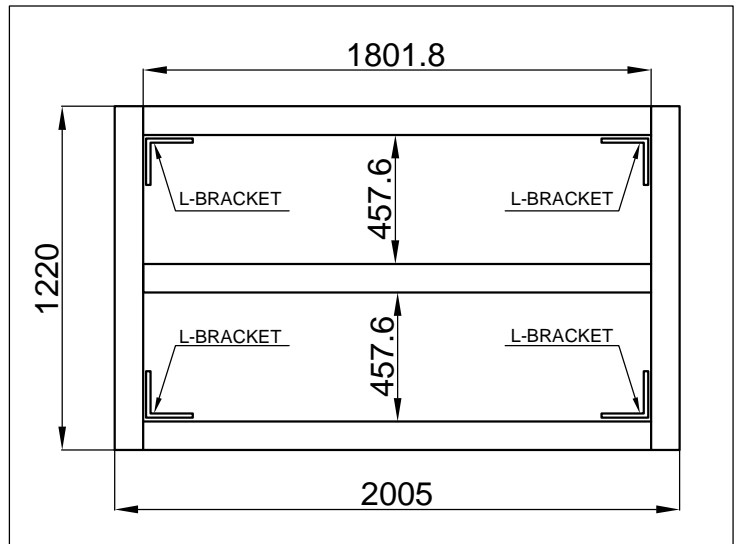
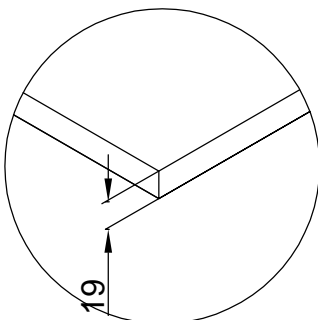
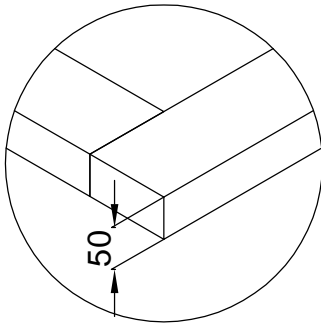
Pressure Treated-Wood Studs:

50mmX101.6mmX1220mm.....(2)

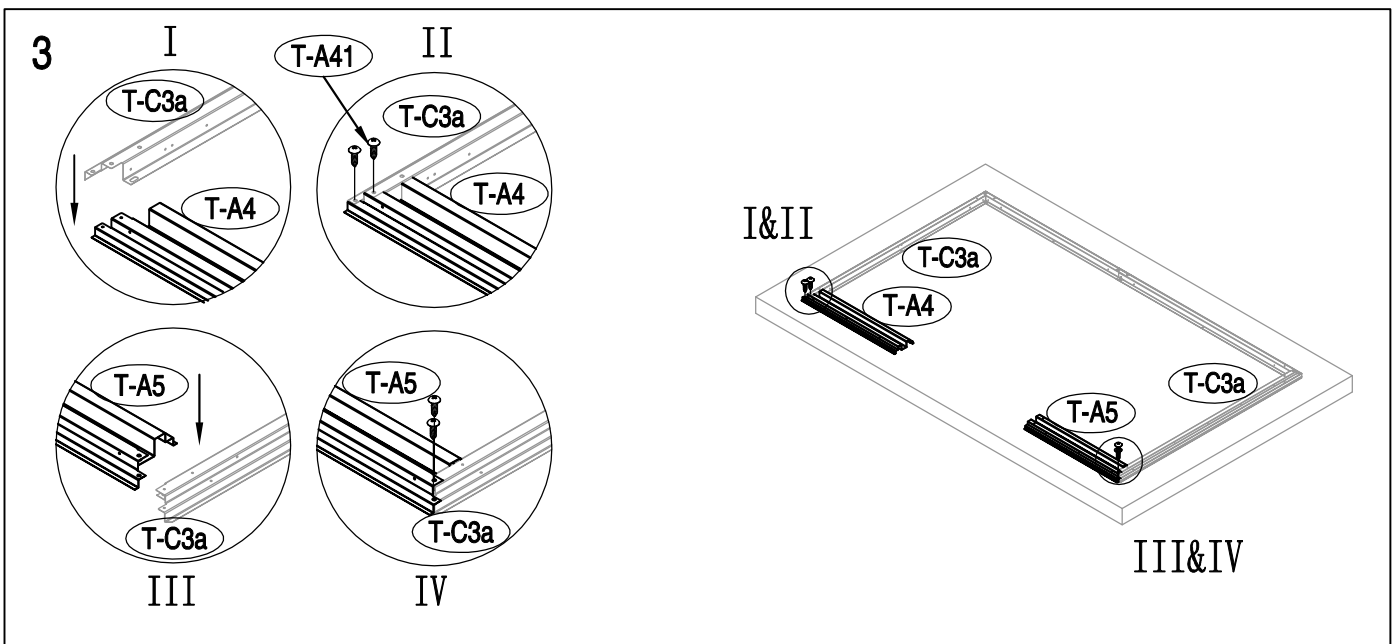
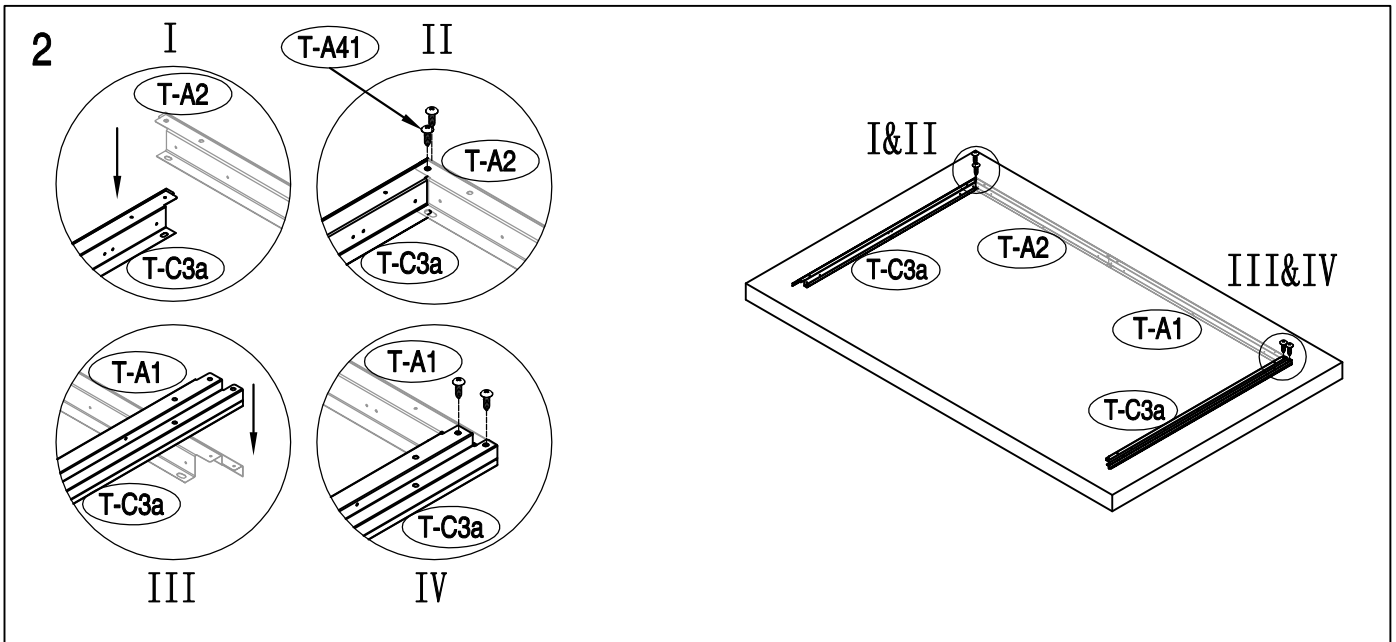
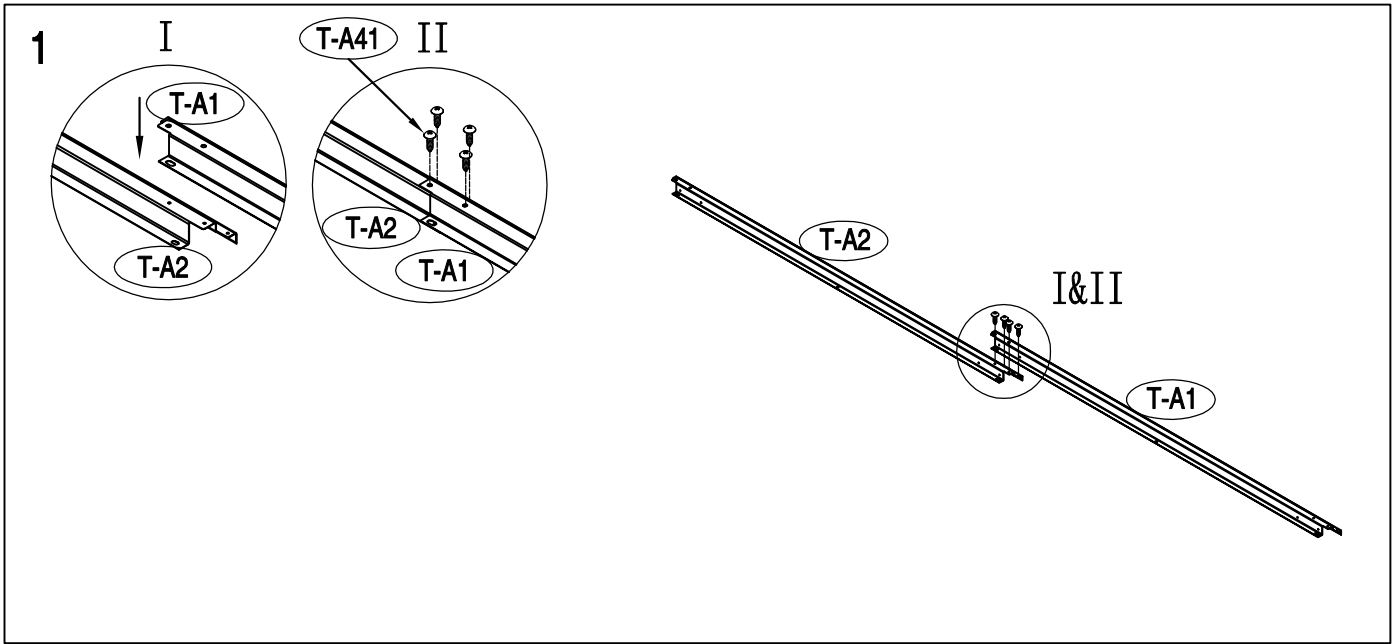
50mmX101.6mmX1801.8mm.....(3)

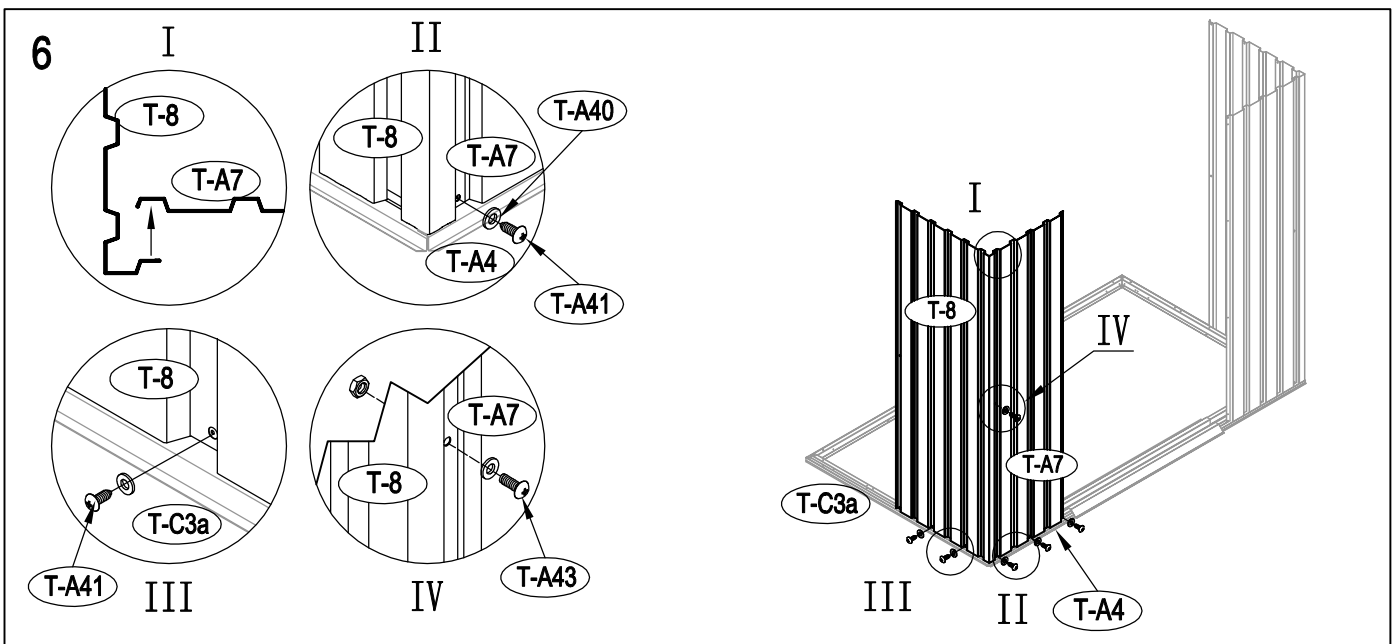
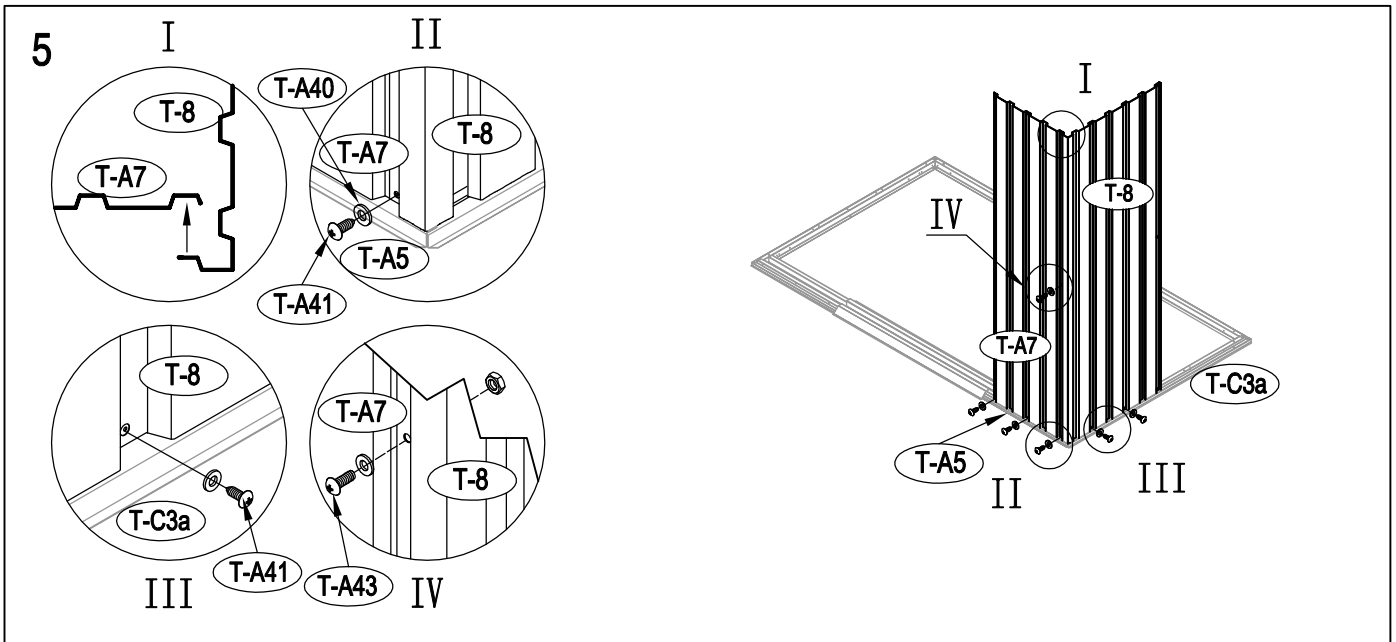
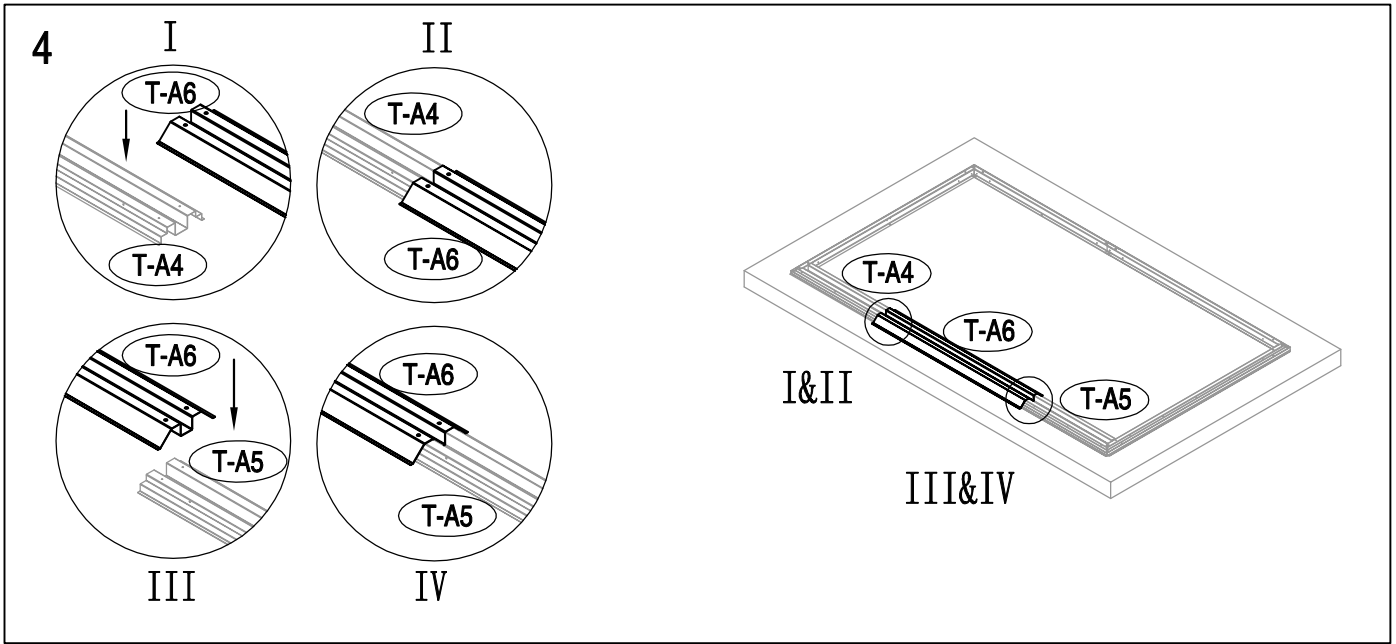
Exterior Grade (CDX-19mm) plywood

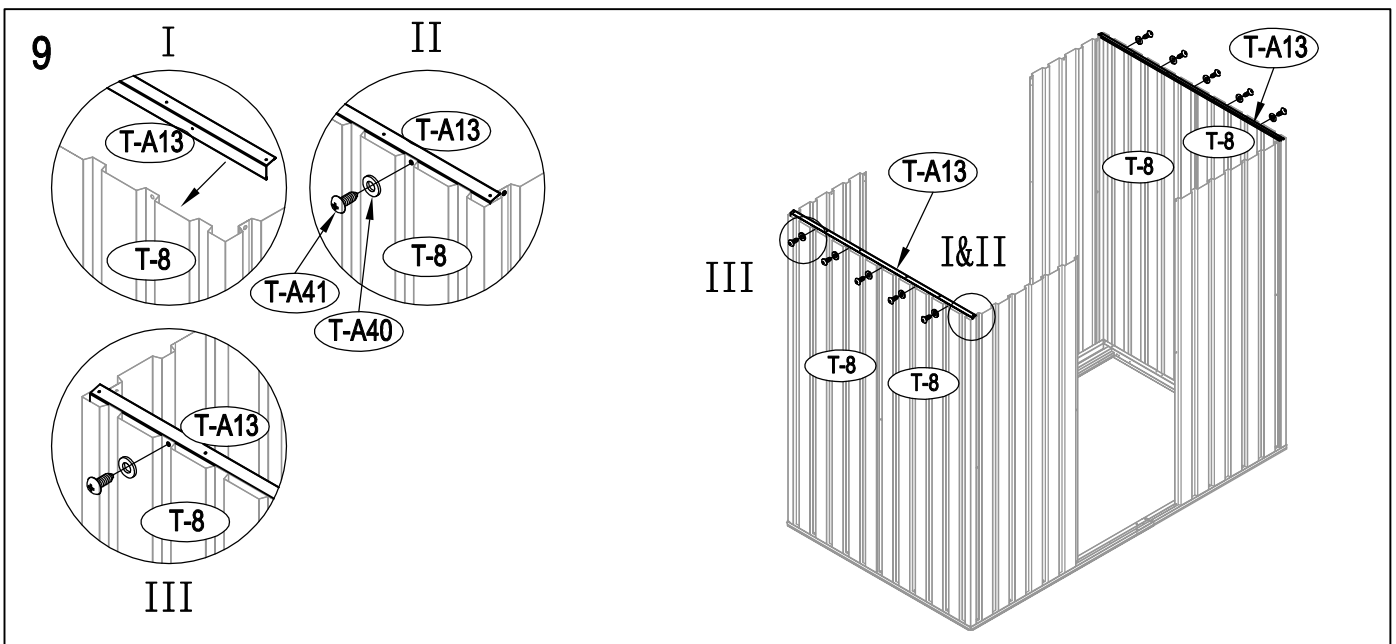
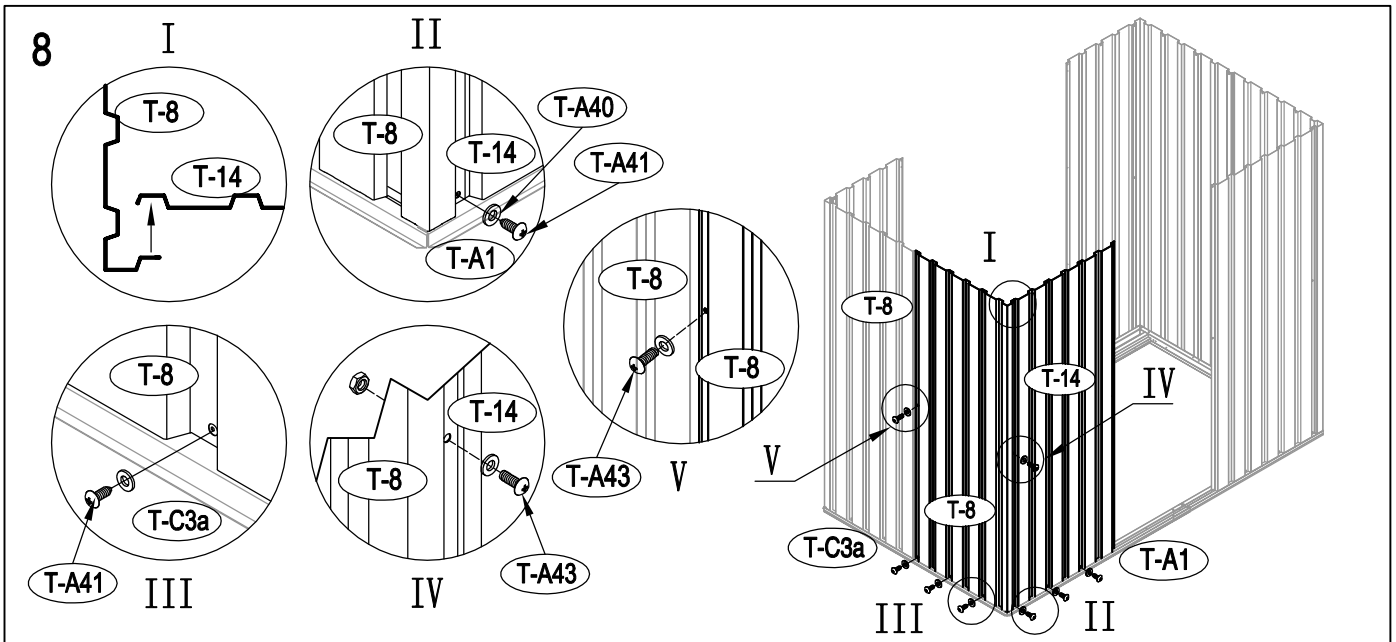
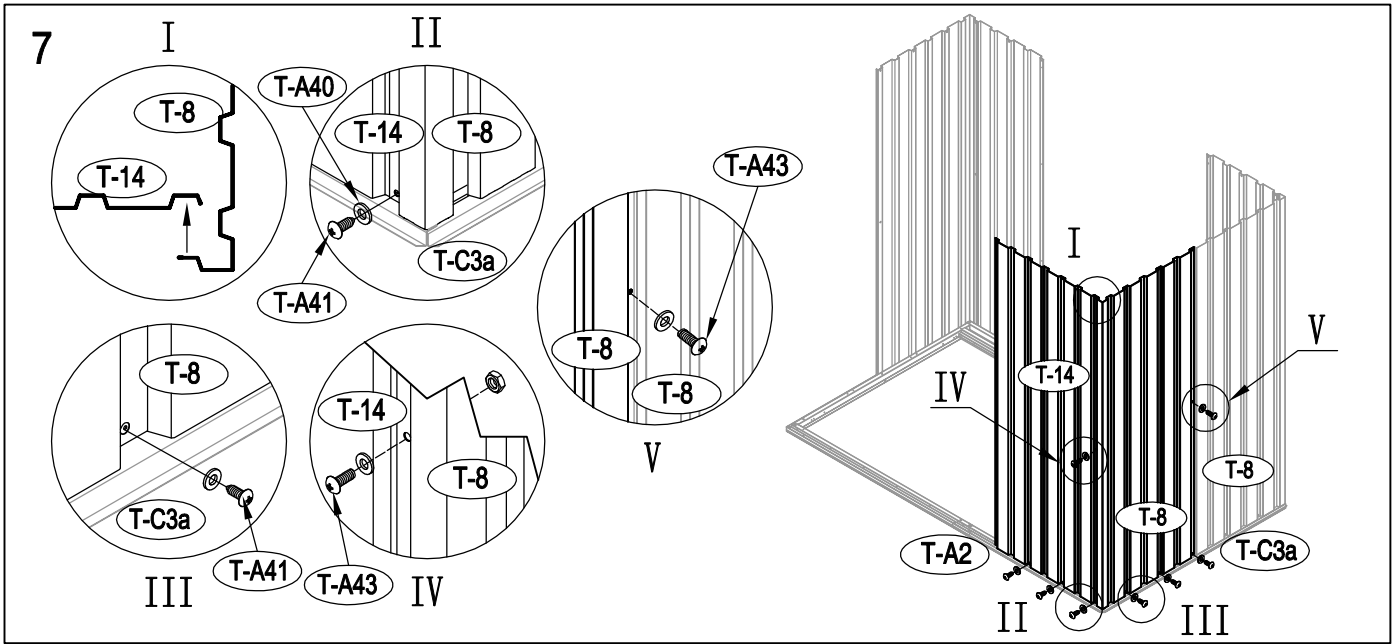
19mmX1220mmX2005mm.....(1)



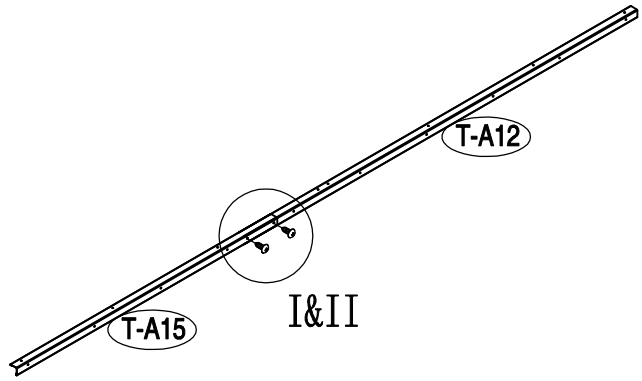
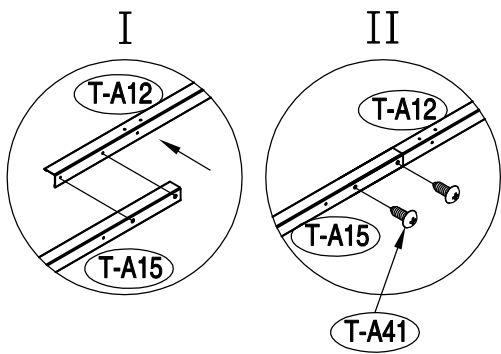
Important: Use hand gloves to prevent injury.



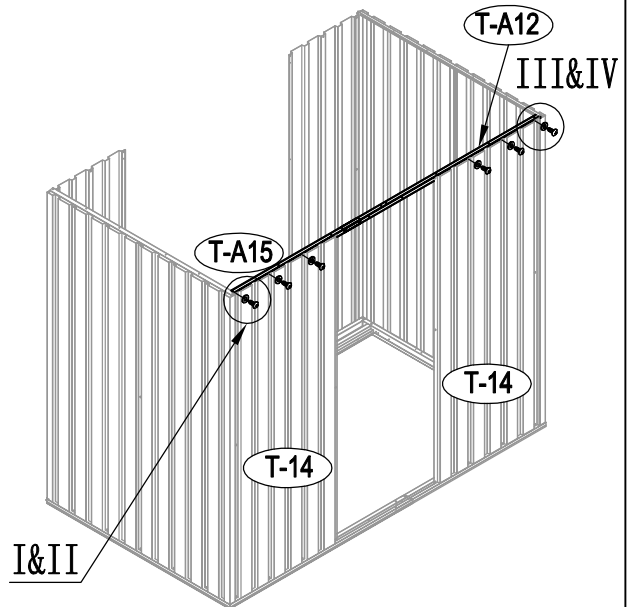
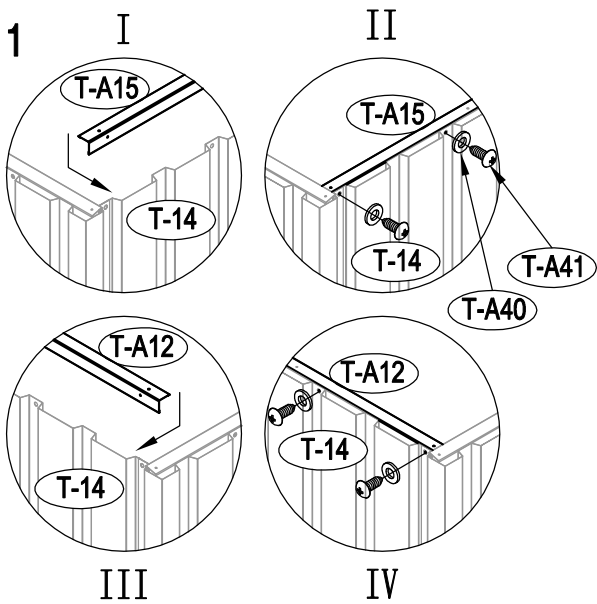




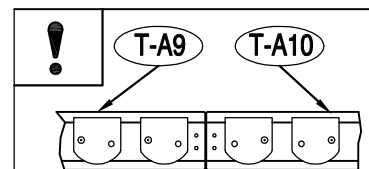
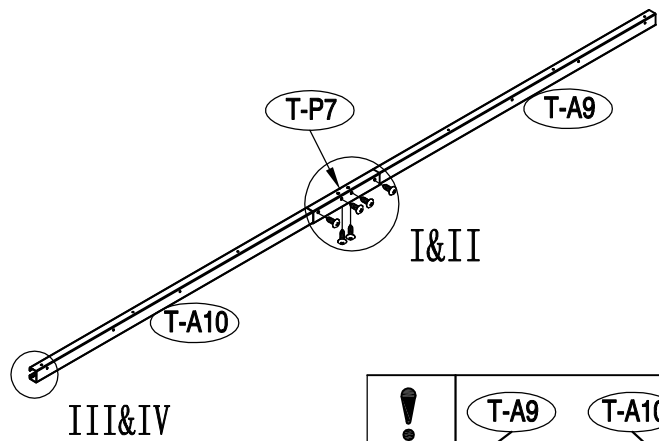
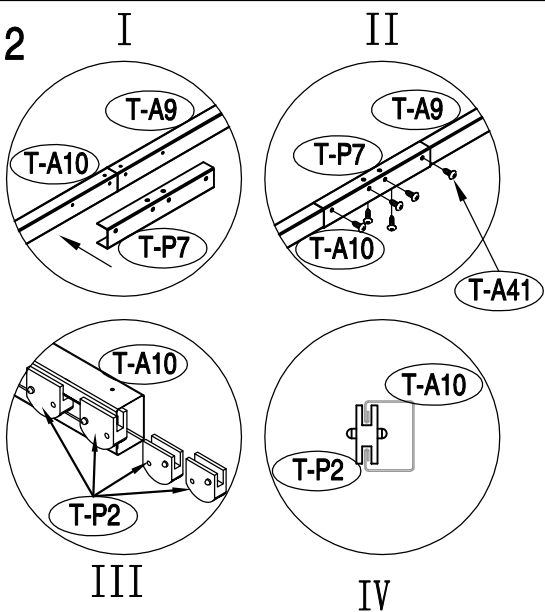
10

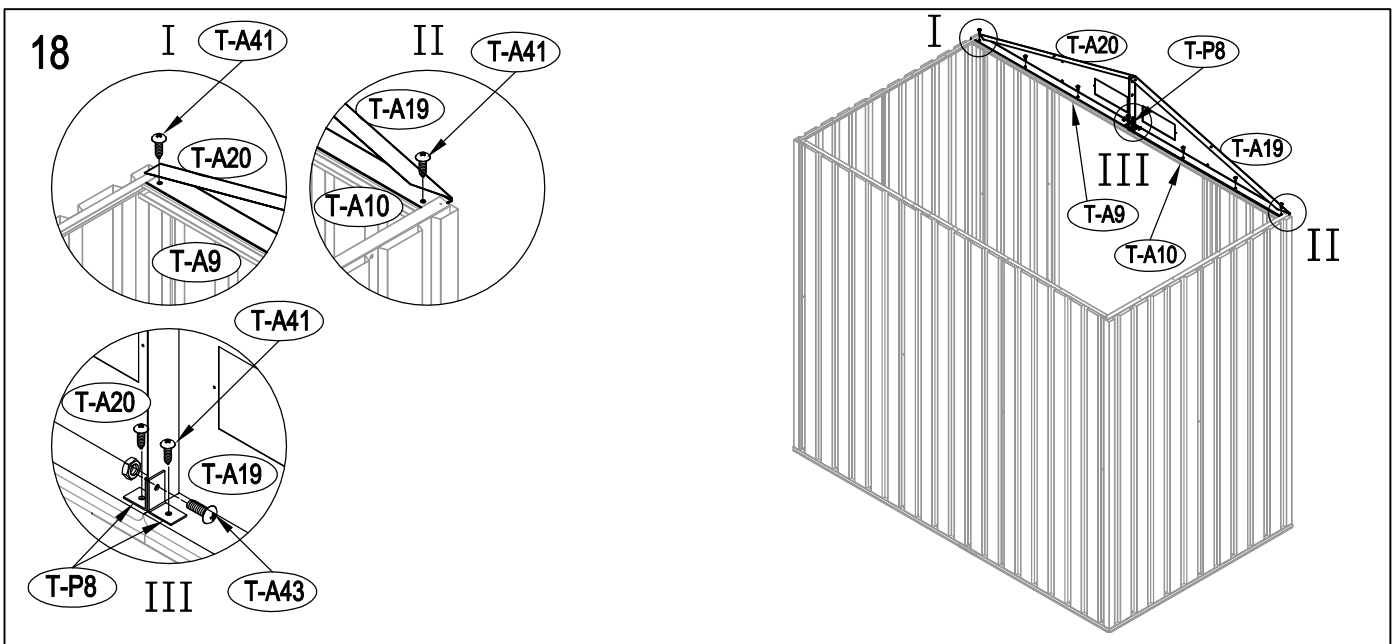
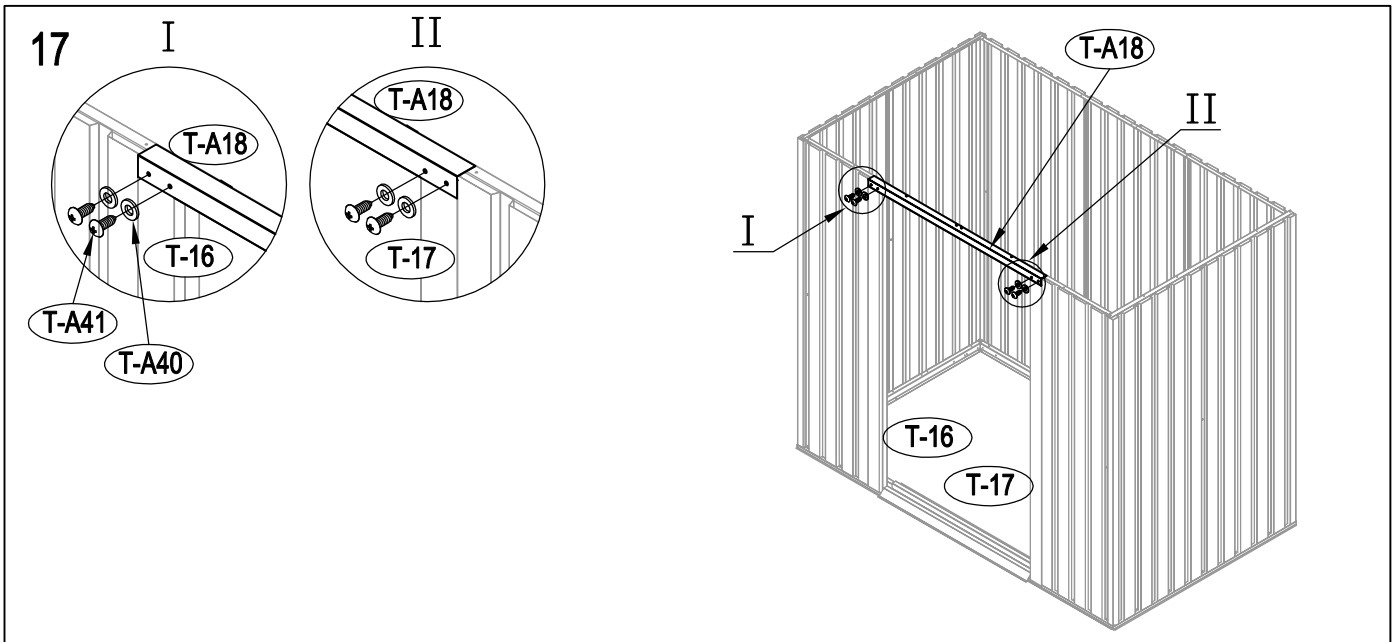
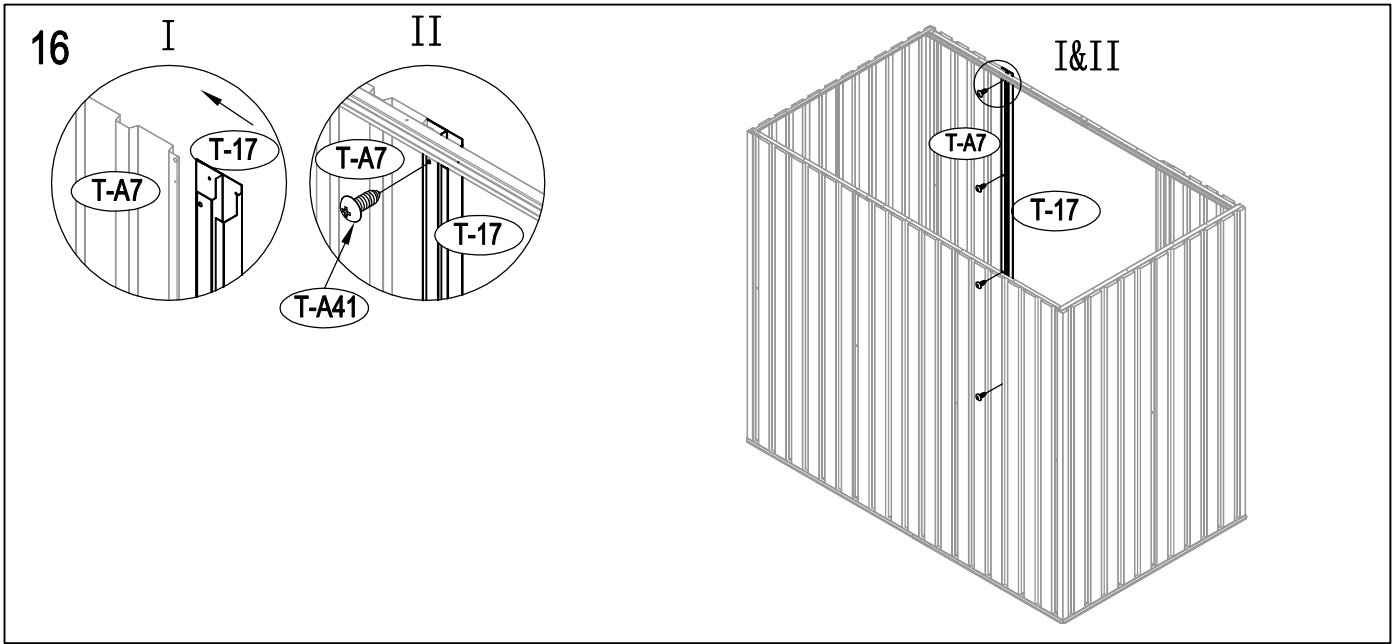


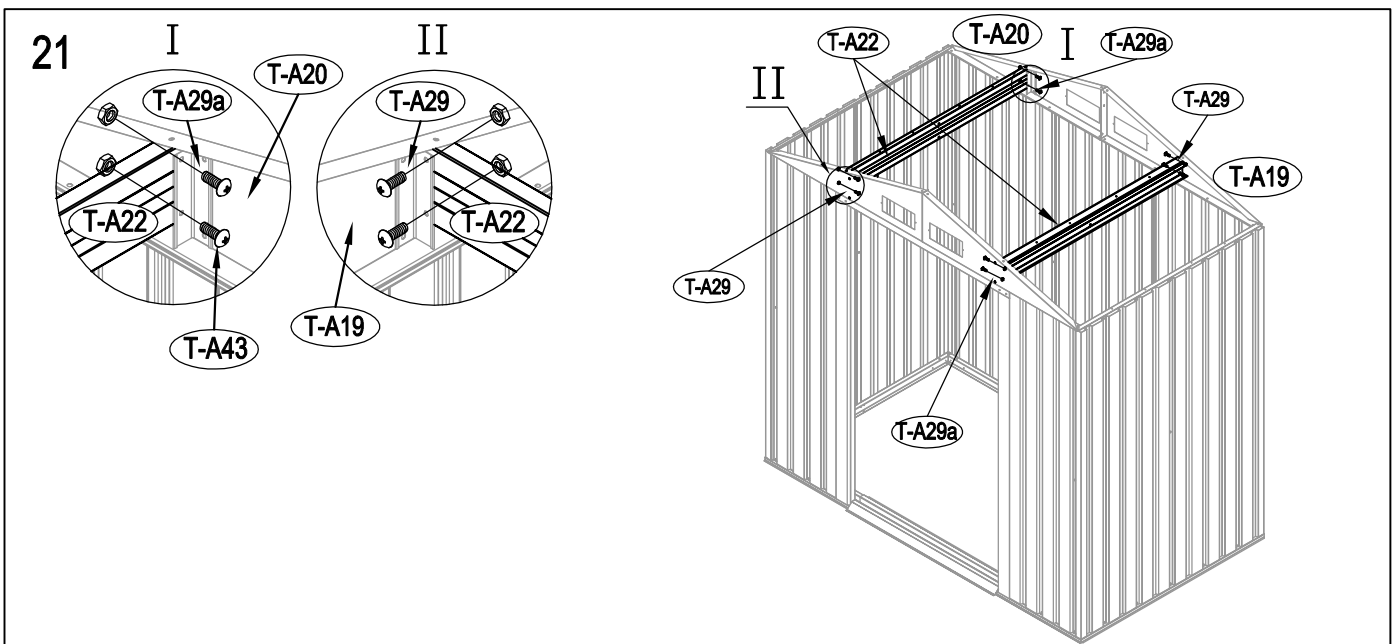
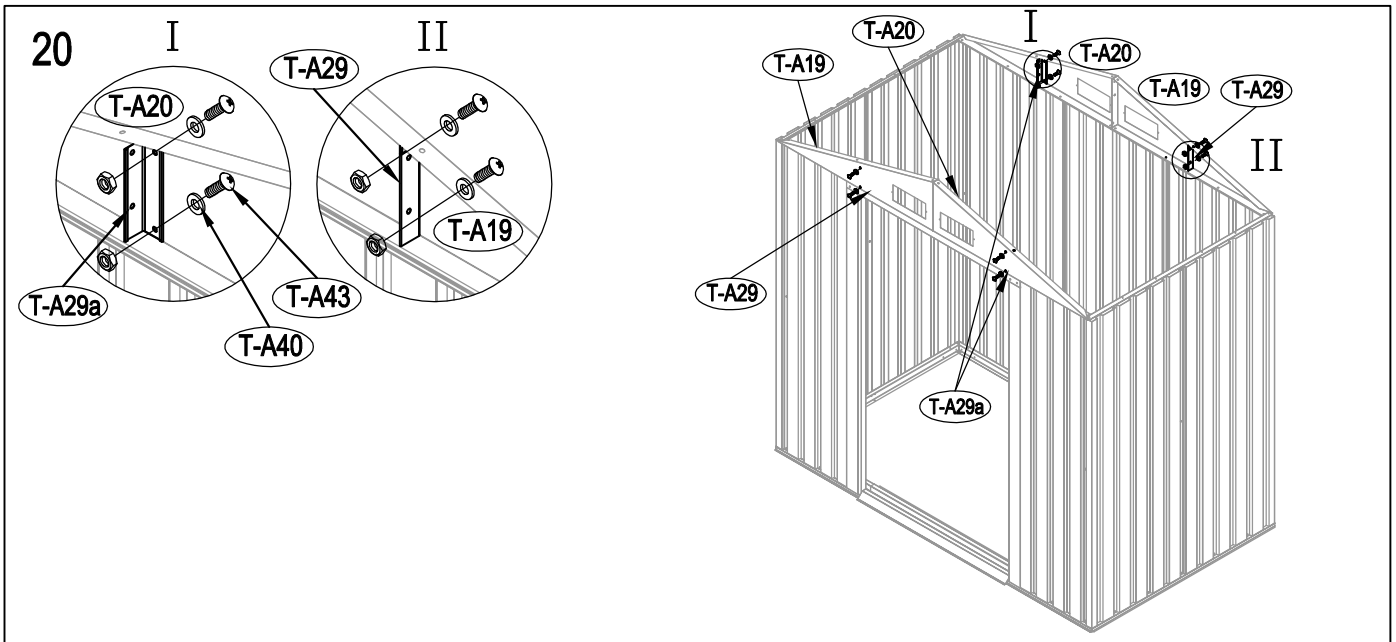
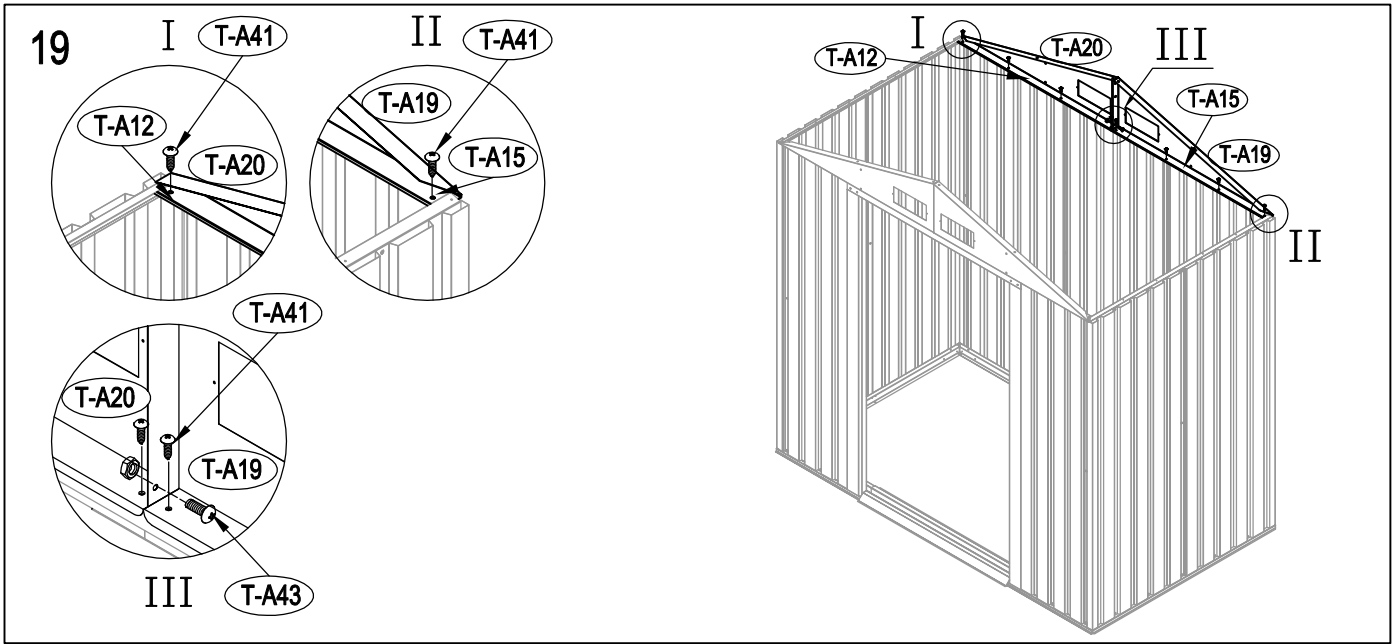
11



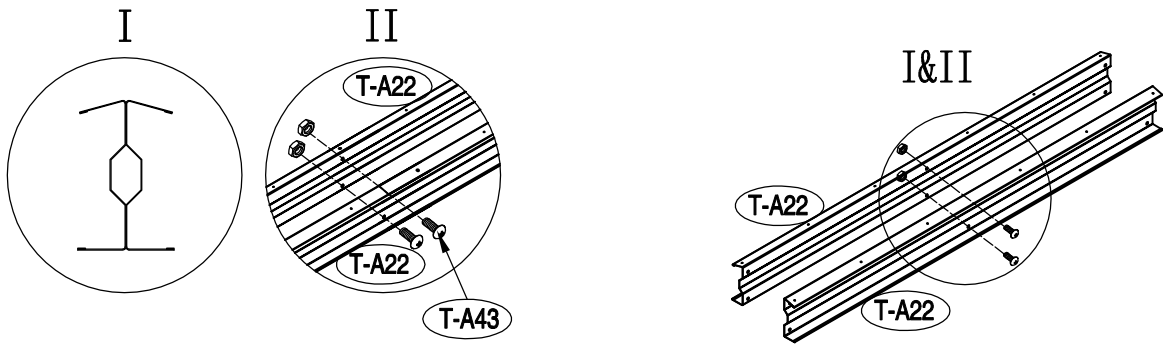
12



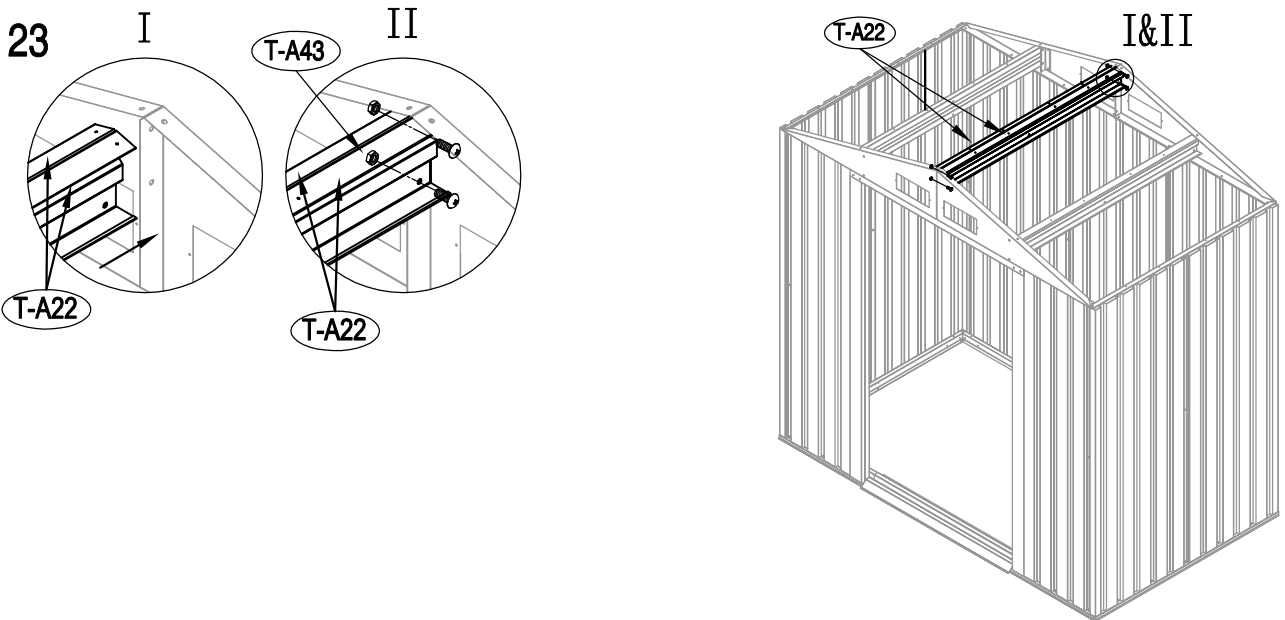




22



23



24

