



ROWLINSON[®]
GARDEN PRODUCTS

Green Lane, Wardle
Nr. Nantwich, Cheshire, CW5 6BN

www.rowgar.co.uk

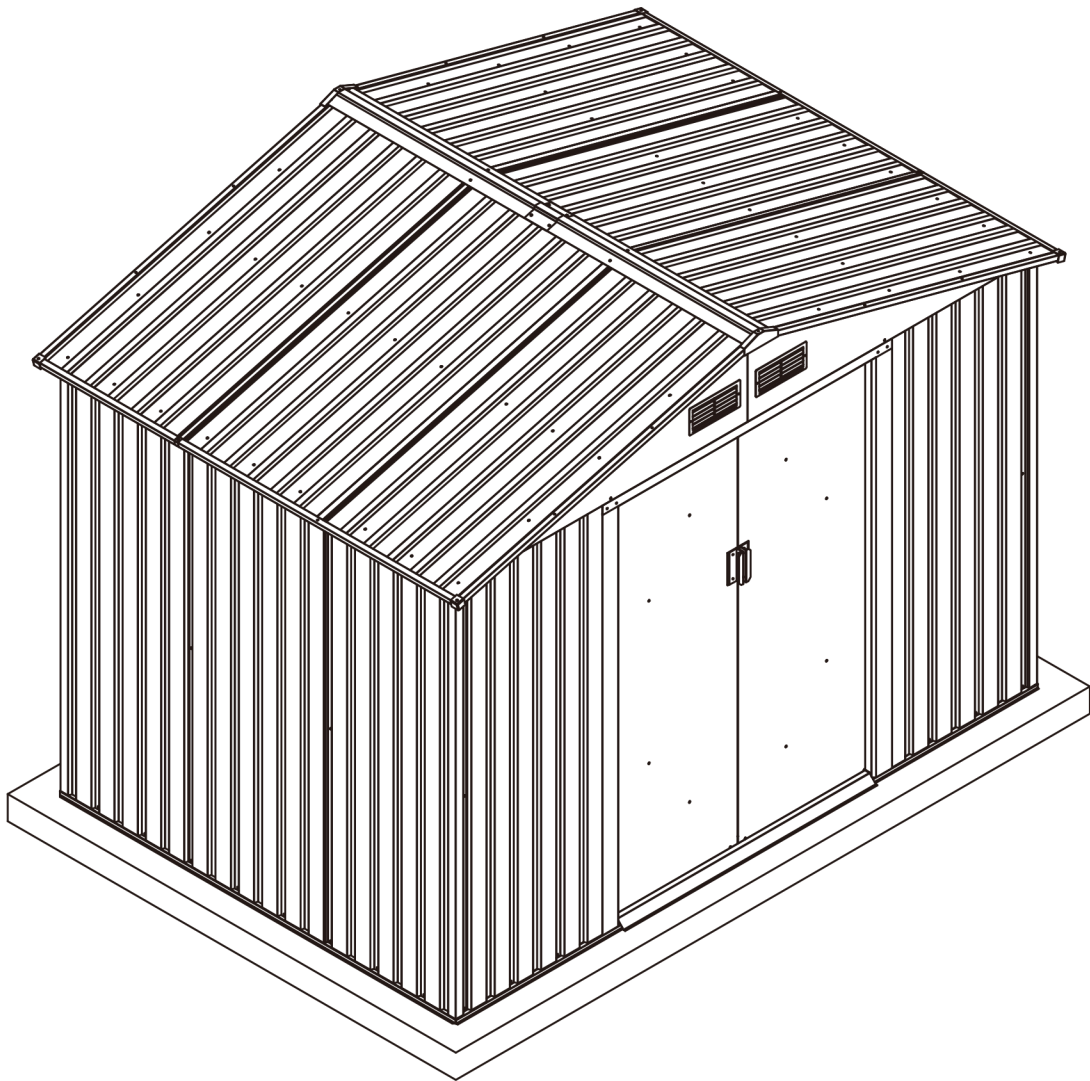
Help Line: (Normal Office Hours) 01829 261 121

Email: support@rowgar.co.uk

Trentvale 8X6 Apex Metal Shed

Ligth Grey: SS535A

Dark Grey: SS536A



S1001C

Requires two people and takes 2-3 hours for Installation.

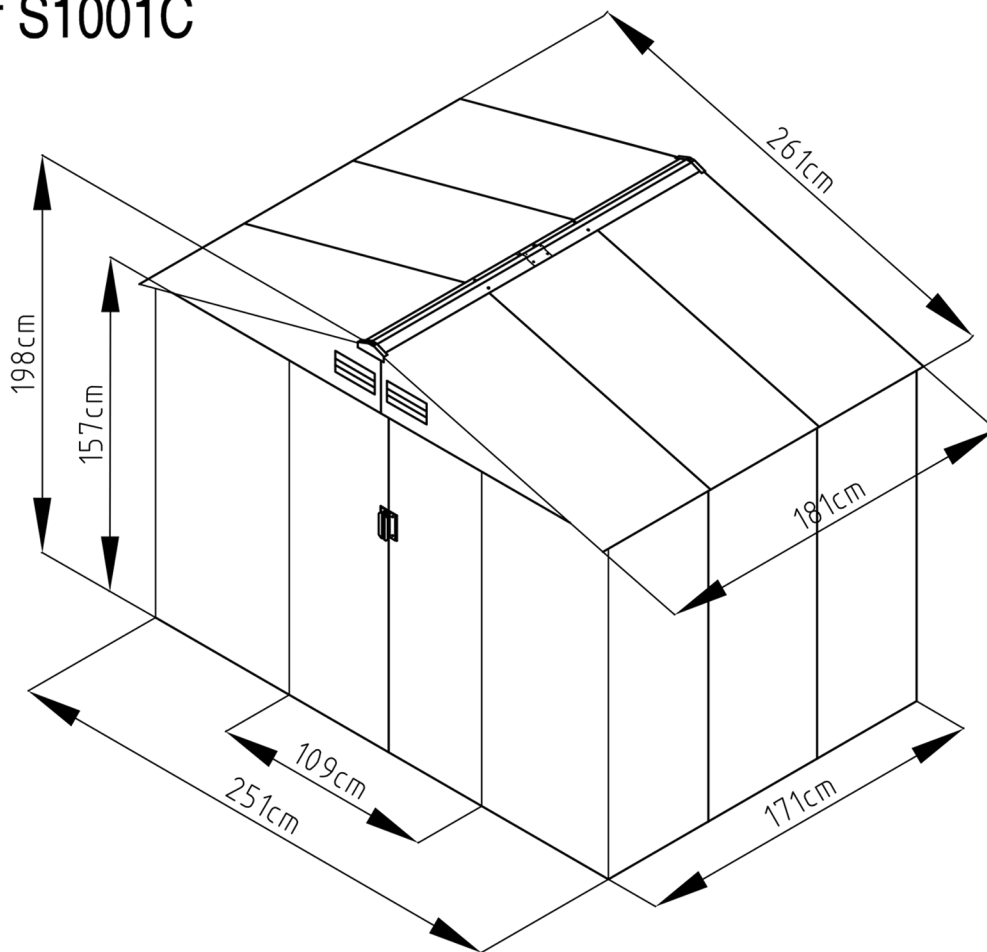
Screwdrivers:

Caution: Power screwdrivers can easily over tighten the screws resulting in splitting the washer and/or stripping the thread of the hole. This can lead to water leaks and inadequately fixed panels. While a power screwdriver can be used to start the screws off, the final few turns and tightening of the screws **MUST** be done using a hand screwdriver.

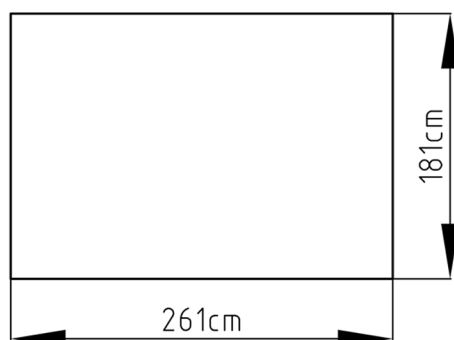
Condensation:

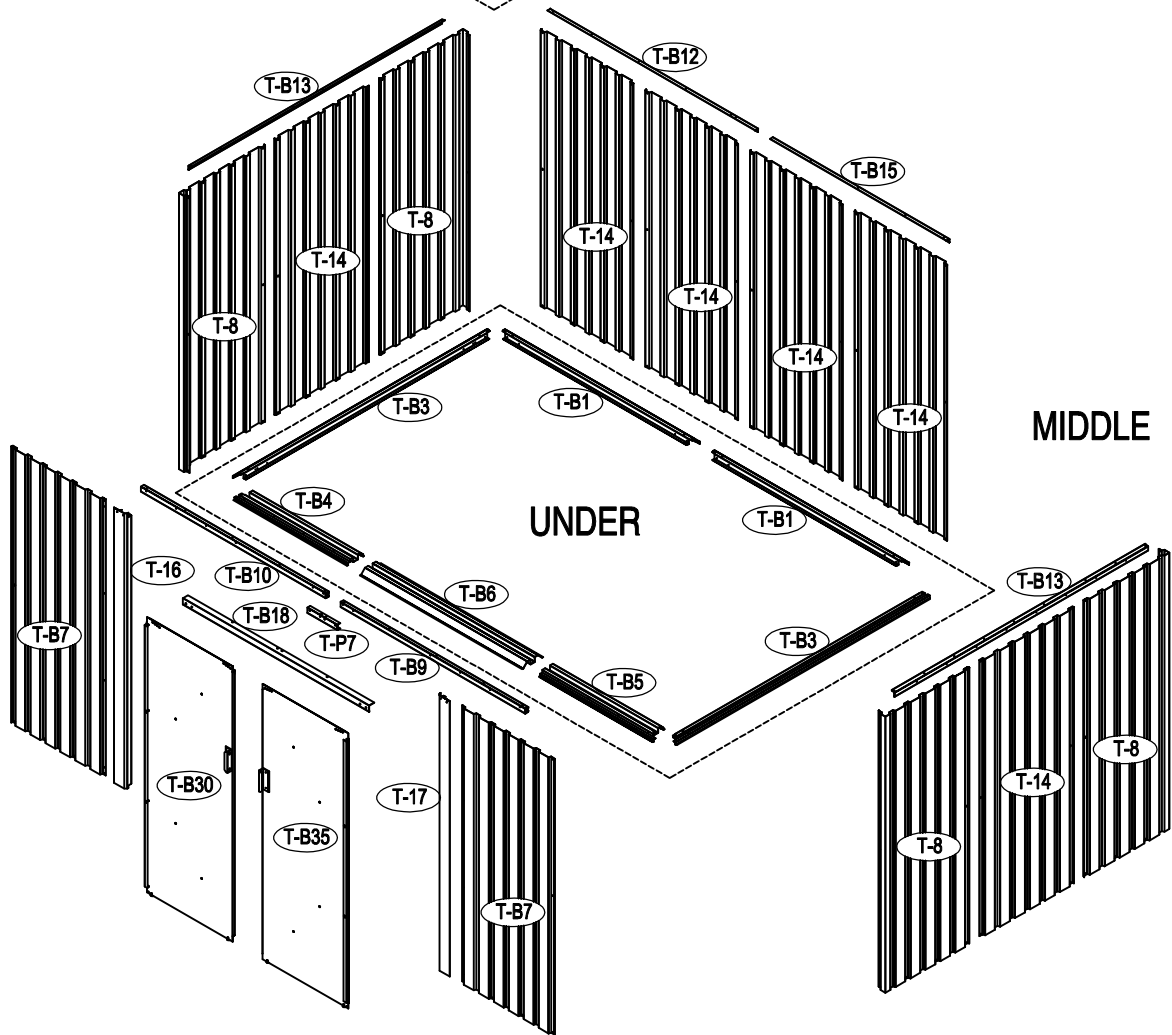
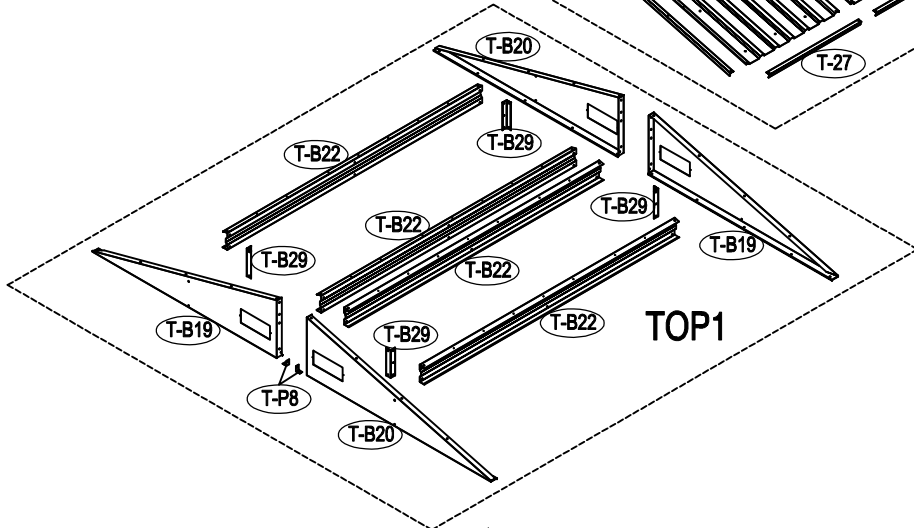
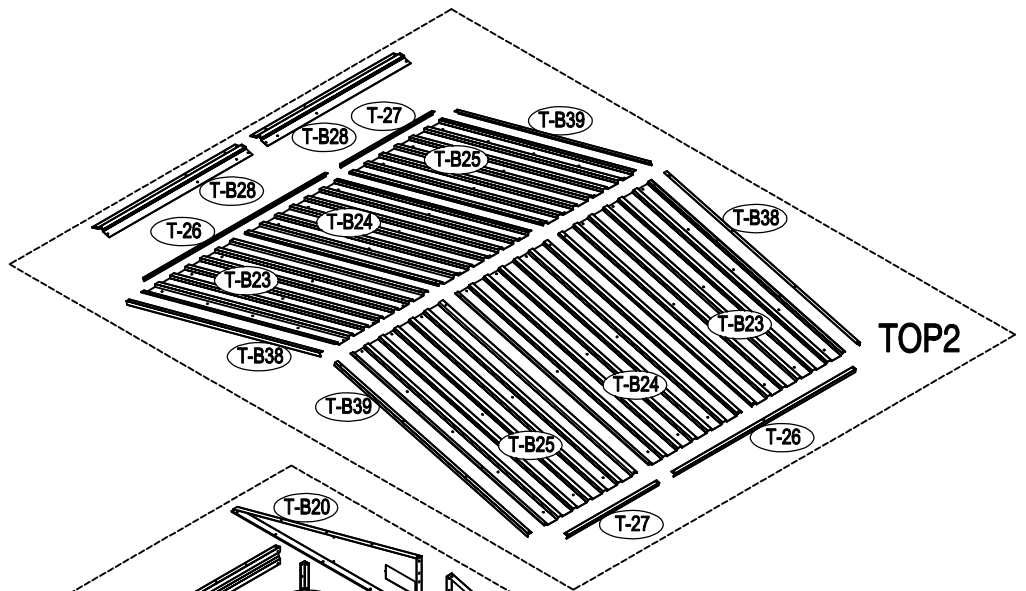
Condensation can form on the inside of any building made of any material. On metal sheds it can sometimes be more obvious. Condensation is the result of warm moist air coming into contact with a cold surface. To minimise the risk of condensation build up; site the shed on a good well drained base that contains a damp proof barrier to prevent moisture rising up through the floor. Ensure any standing water is diverted away from the base of the shed. Make sure there is good air flow through the building, particularly if it's to be left closed up for long periods of time. Do not block any gaps or vents. Leave a gap between the walls and stored items. If needed, Insulating the inside of the roof may also help reduce sudden changes in temperature further reducing condensation build up.

Size of S1001C



Area of installation requirement:





NOTE:It is important that these instructions are followed step by step.

Metal Shed must be installed on a level wooden platform or a level concrete foundation

Wooden platform is extra and is not included.
Don't install under windy conditions.

We recommend to clear your metal shed of snow after each snowfall.

Wooden Platform

The following are a list of lumber and sizes you will need.

Pressure Treated-Wood Studs:

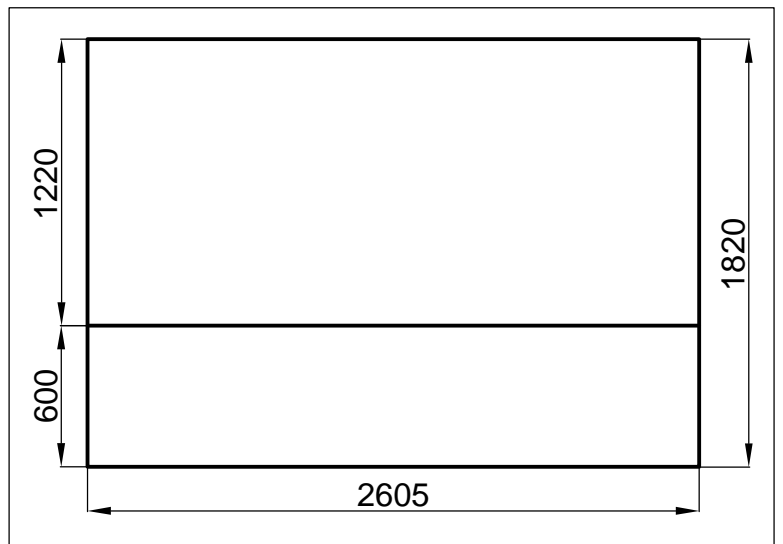
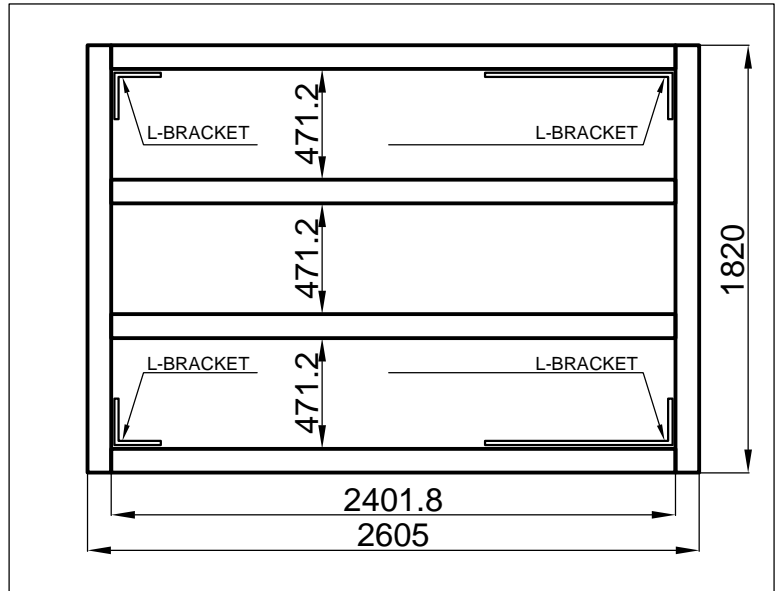
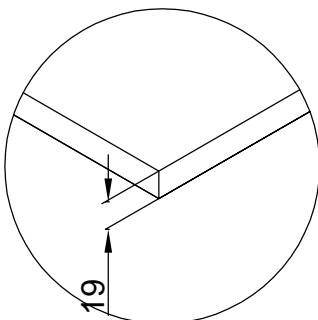
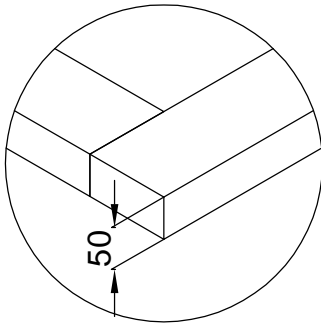
50mmX101.6mmX1820mm.....(2)

50mmX101.6mmX2401.8mm.....(4)

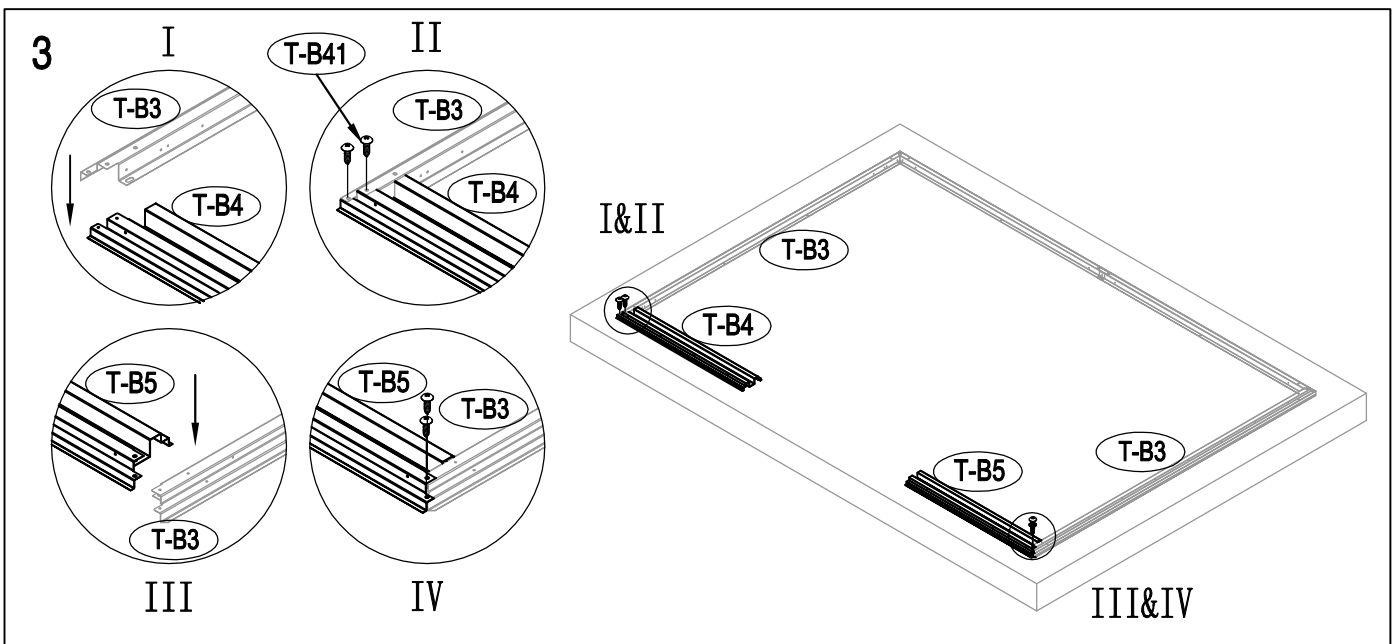
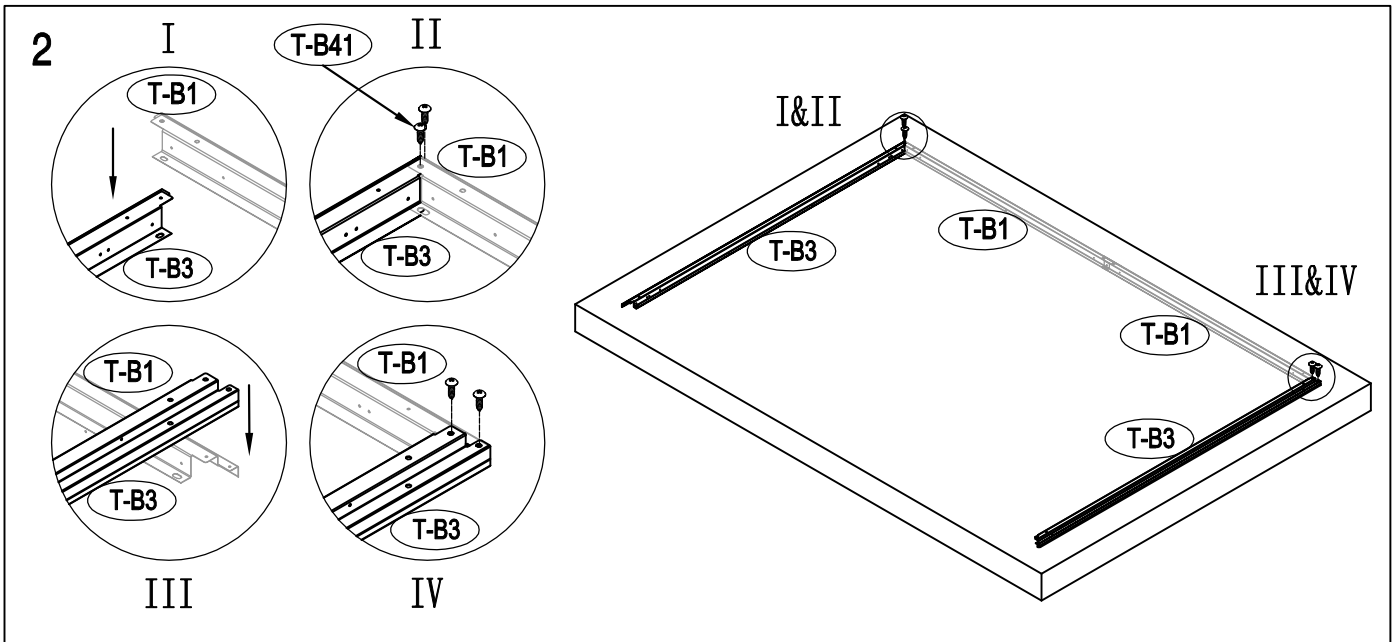
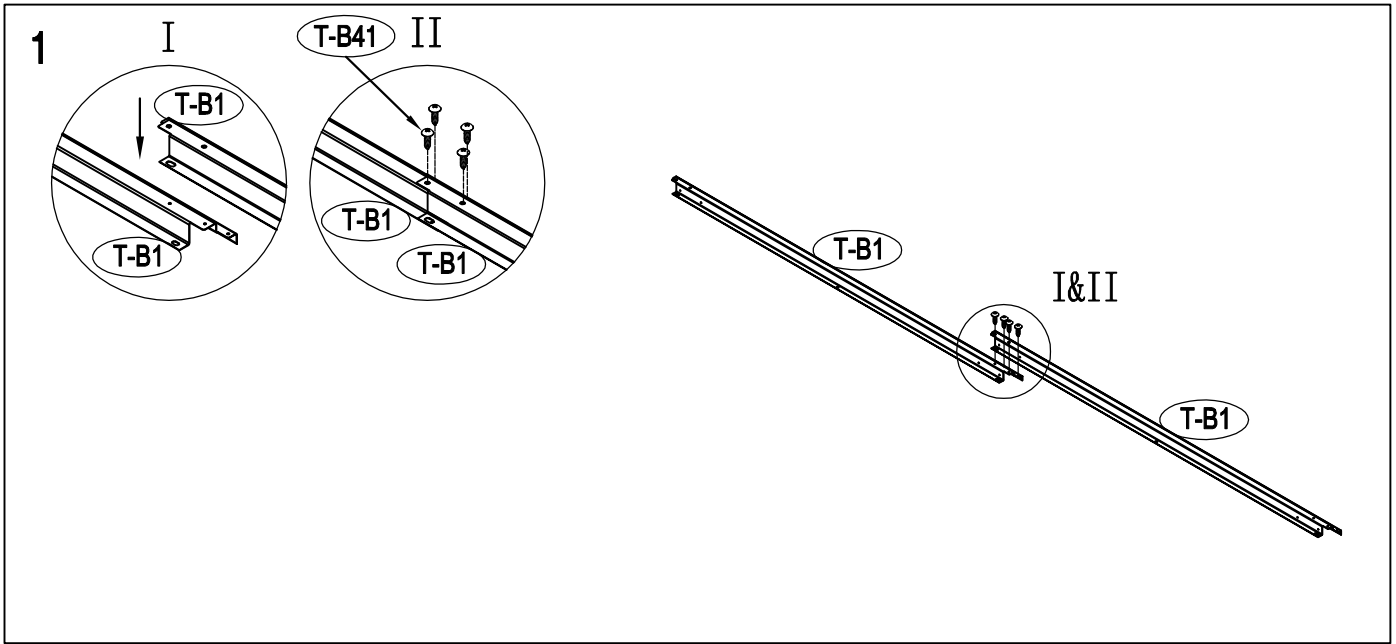
Exterior Grade (CDX-19mm) plywood

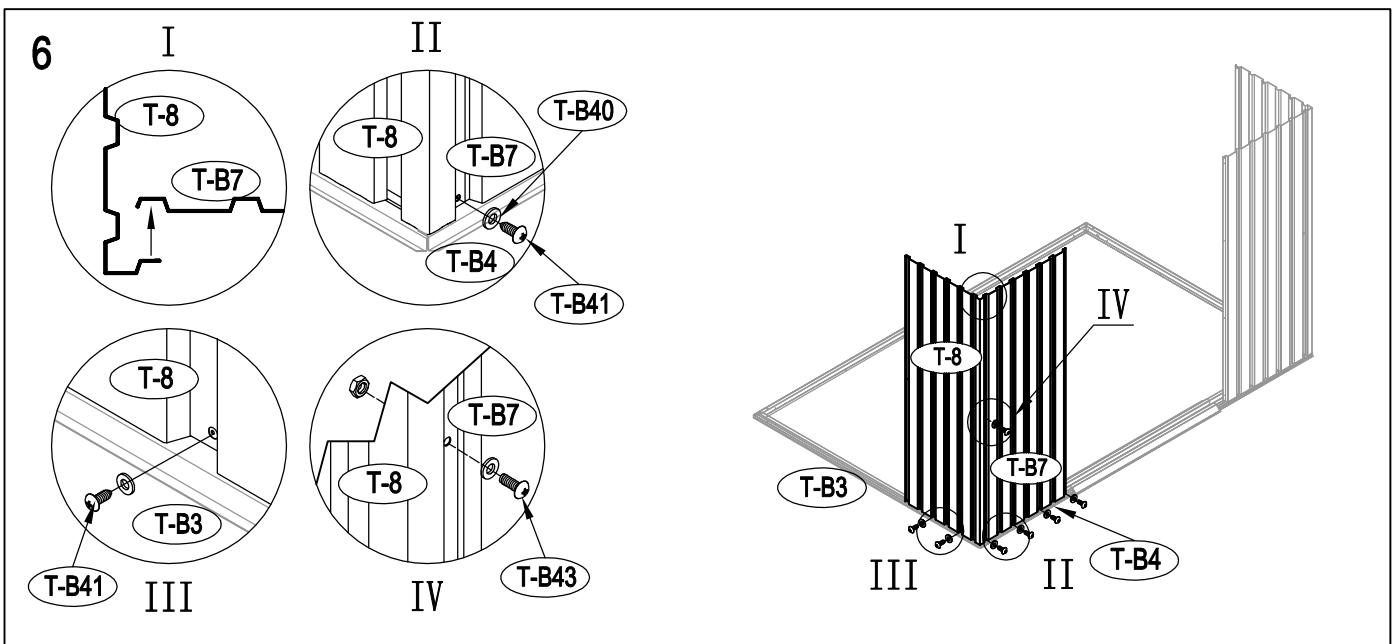
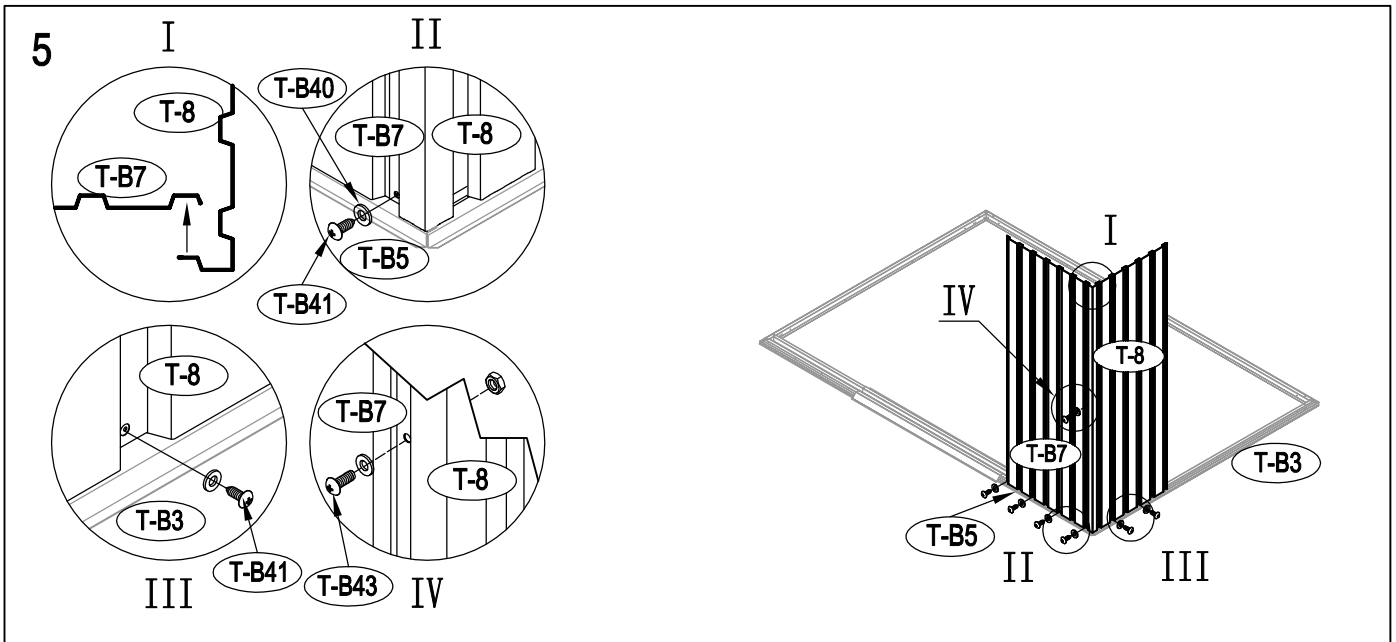
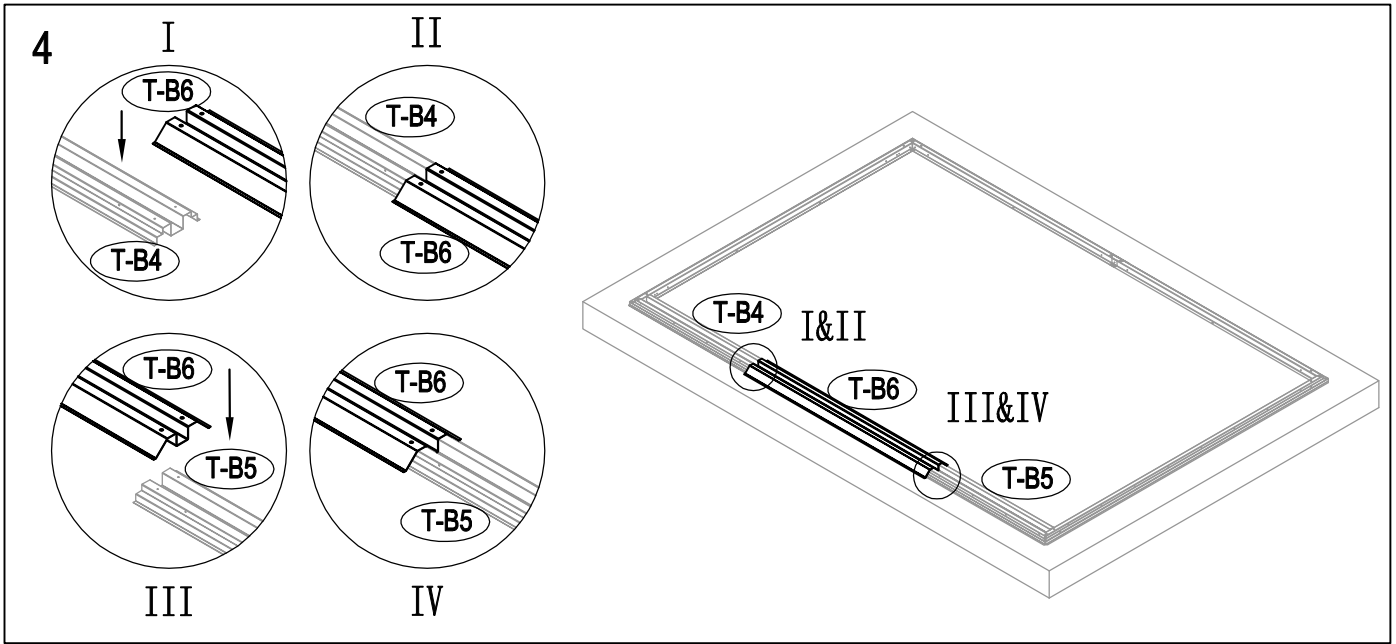
19mmX1220mmX2605mm.....(1)

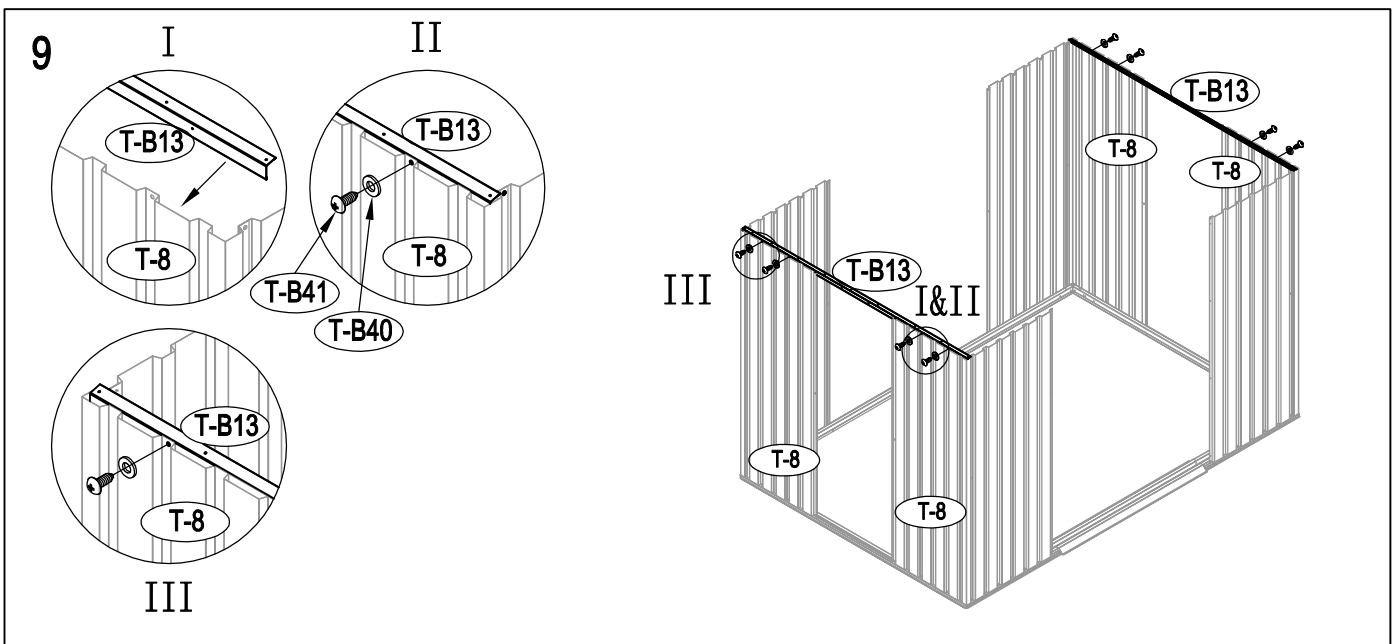
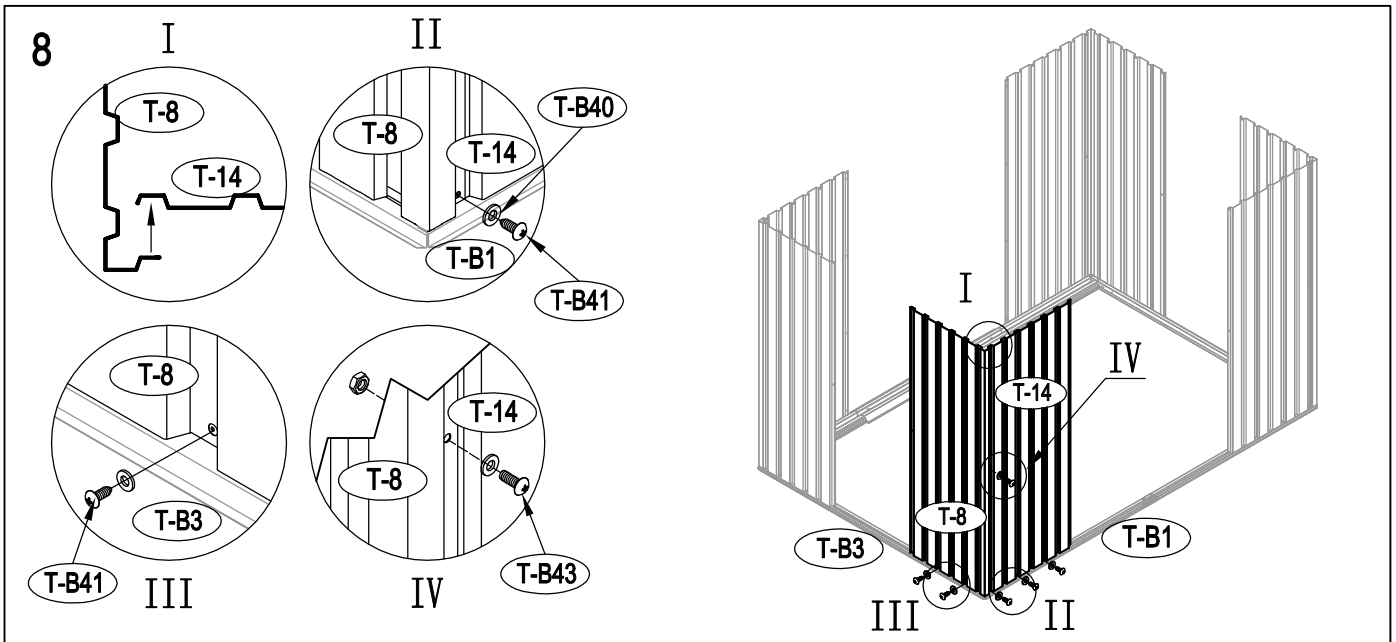
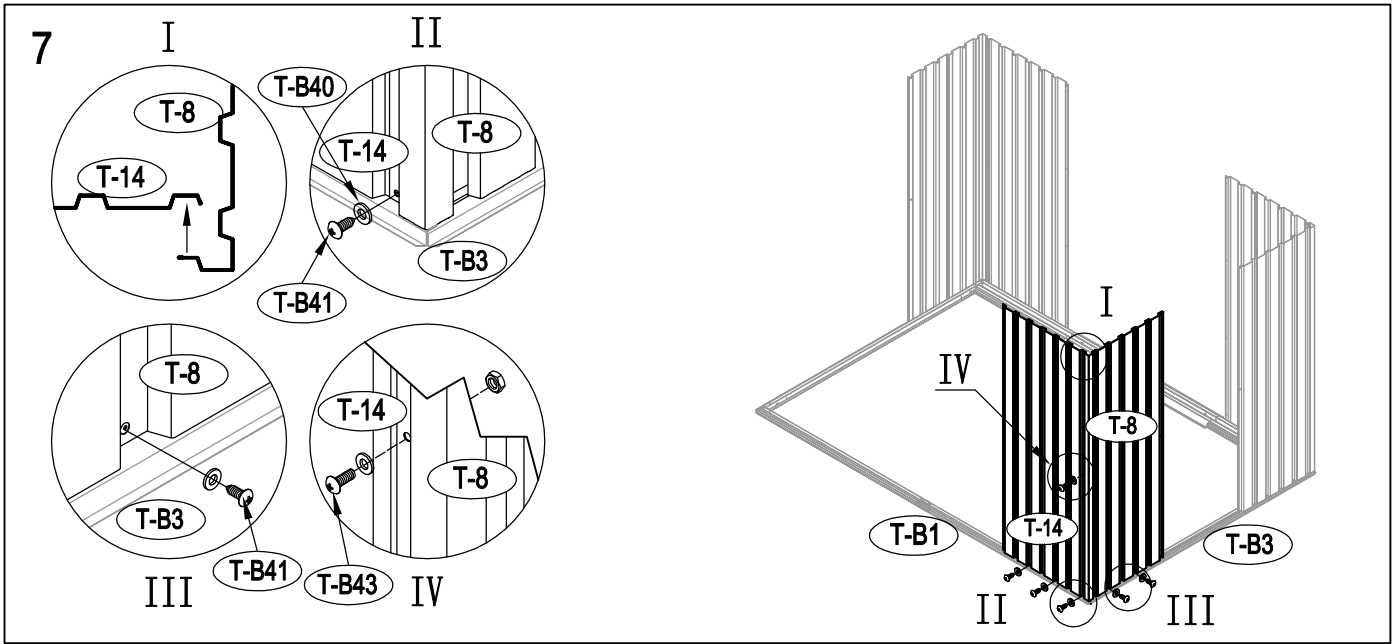
19mmX600mmX2605mm.....(1)

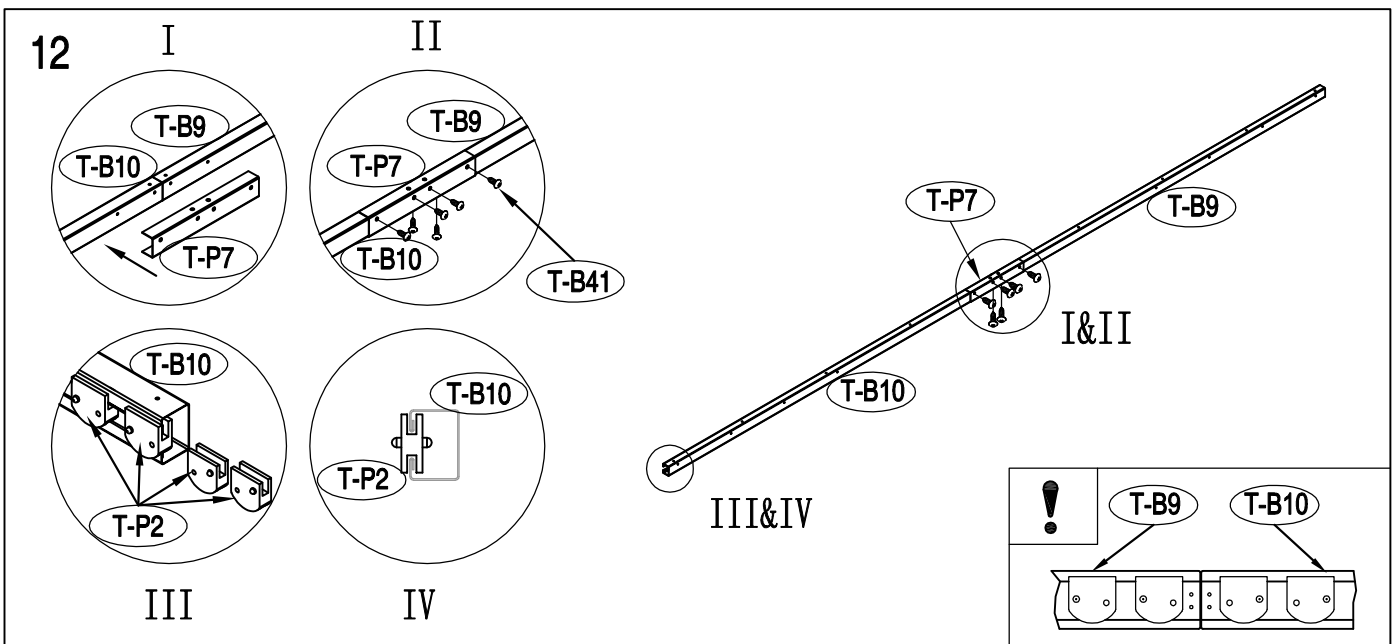
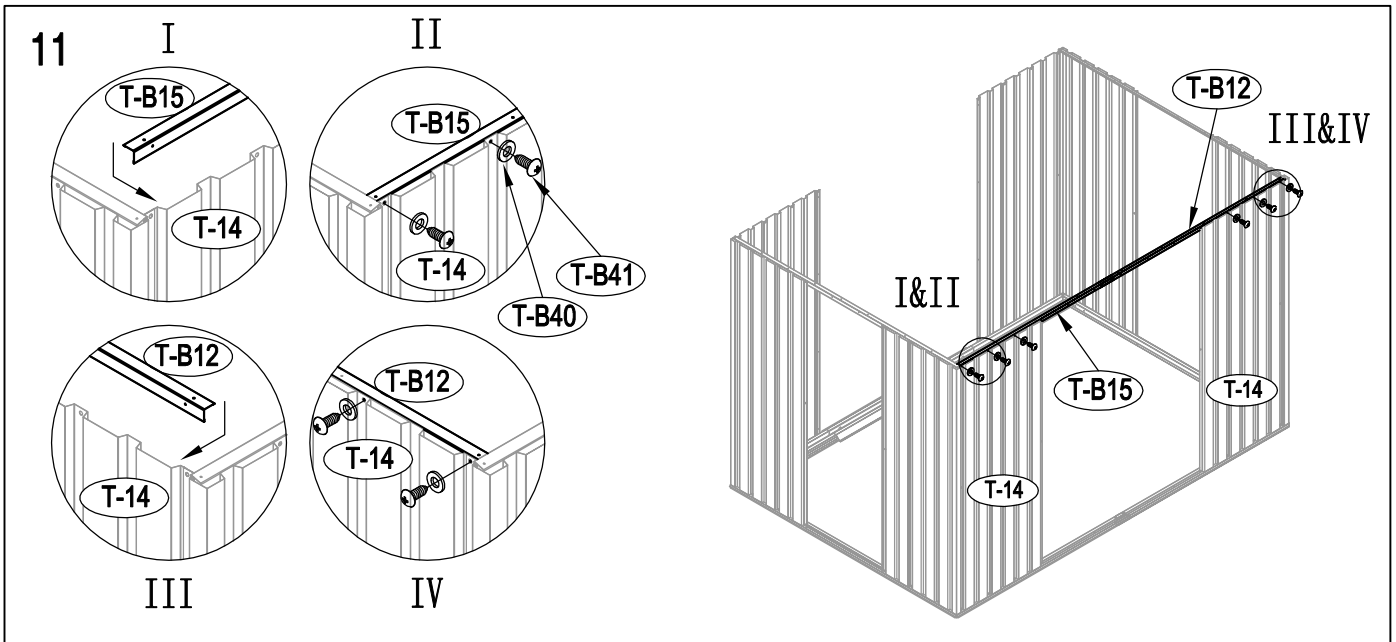
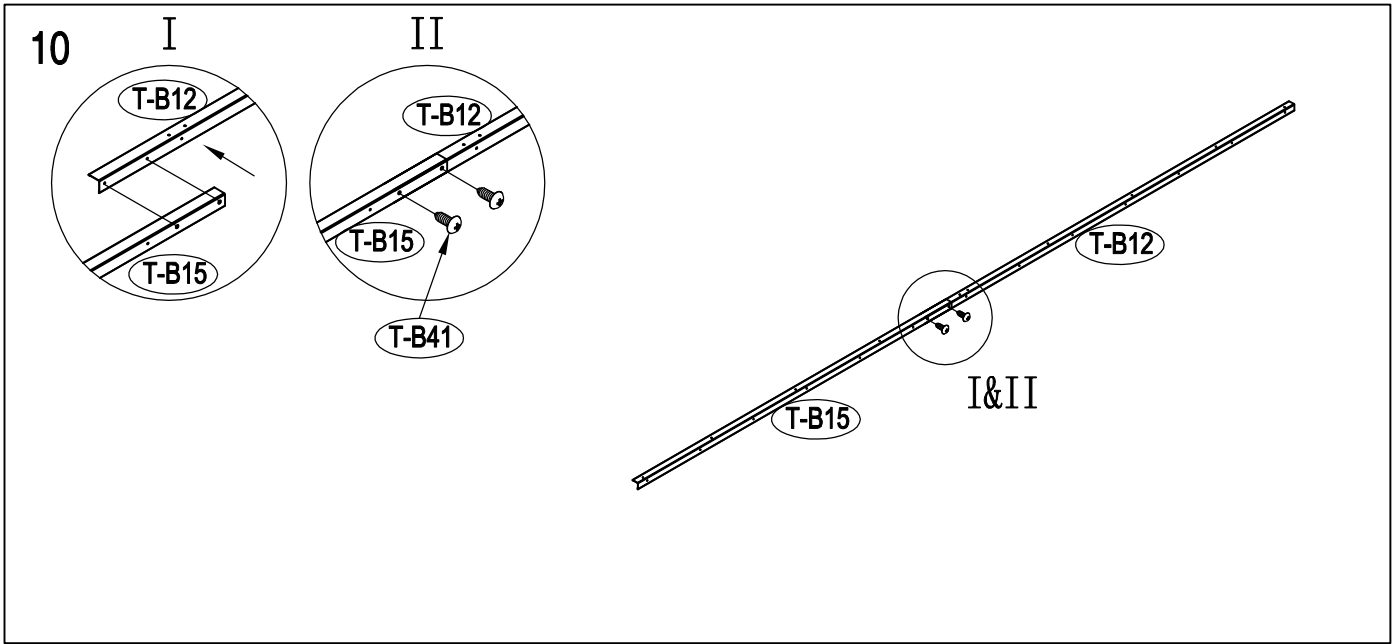


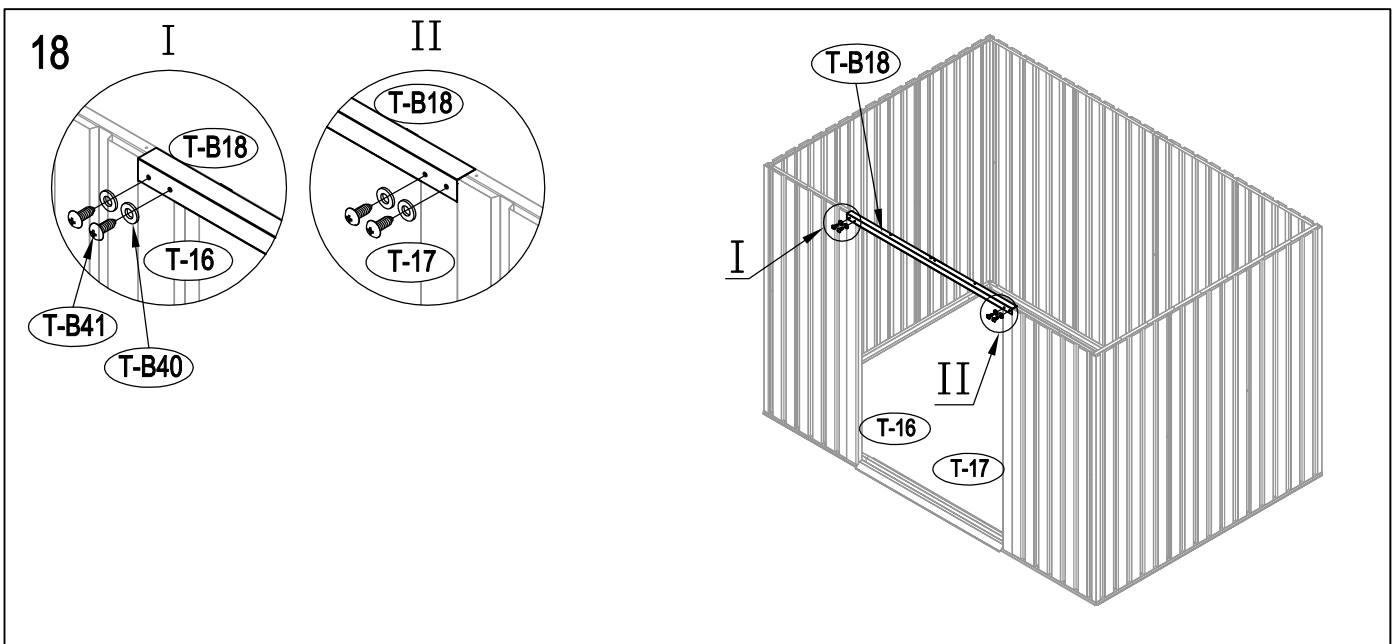
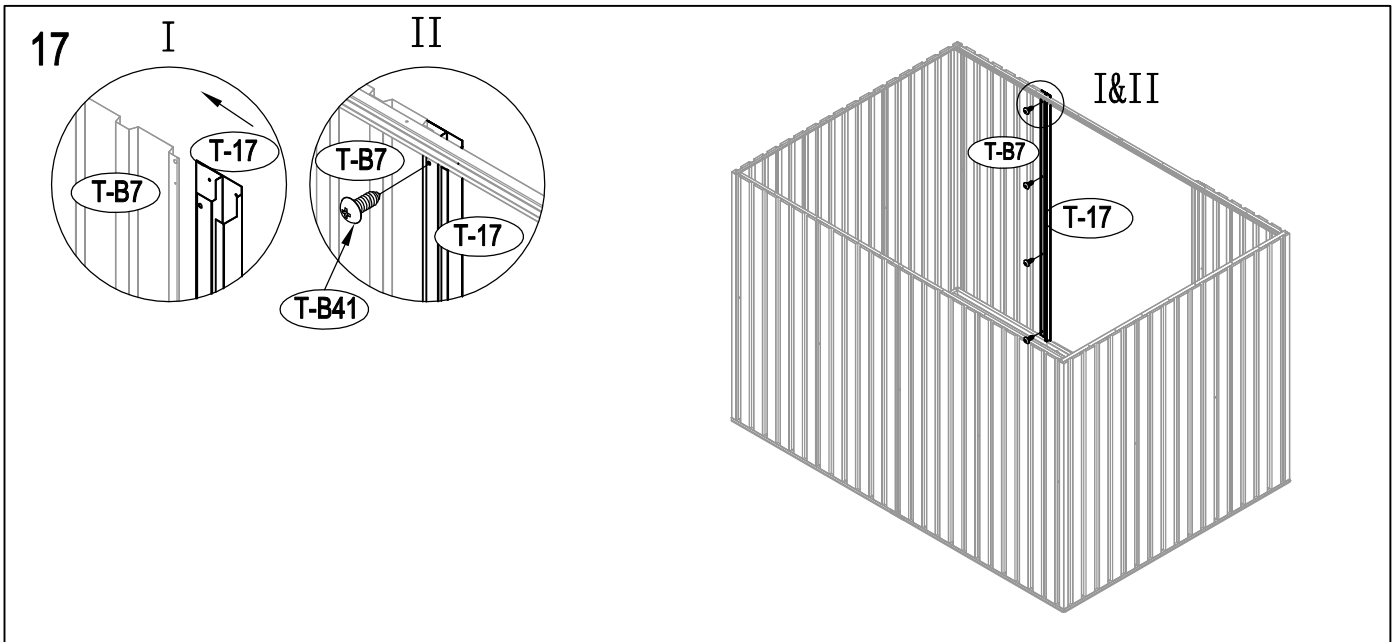
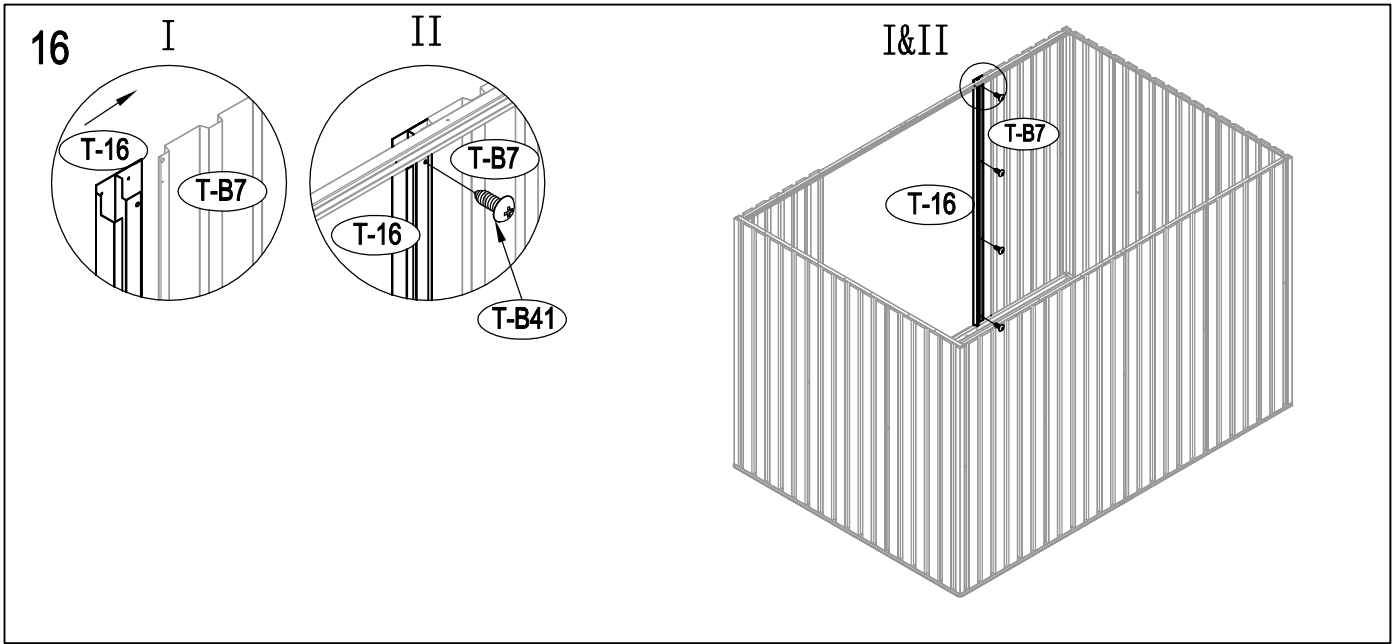
Important: Use hand gloves to prevent injury.

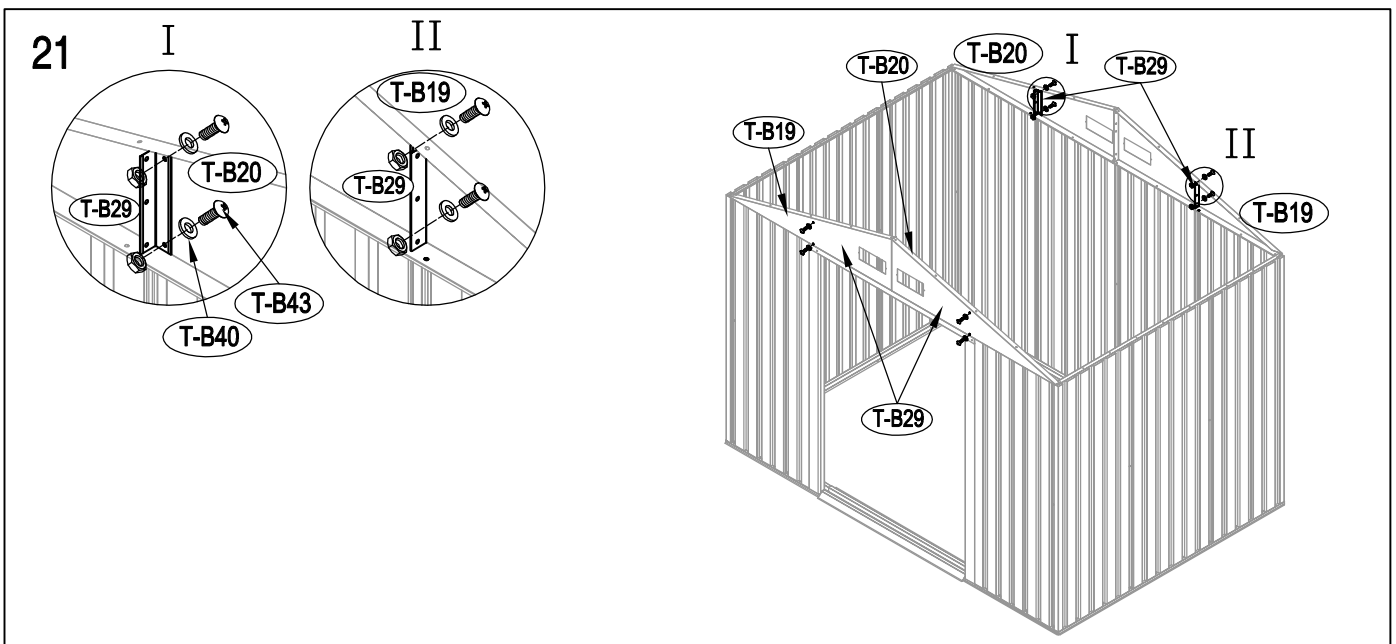
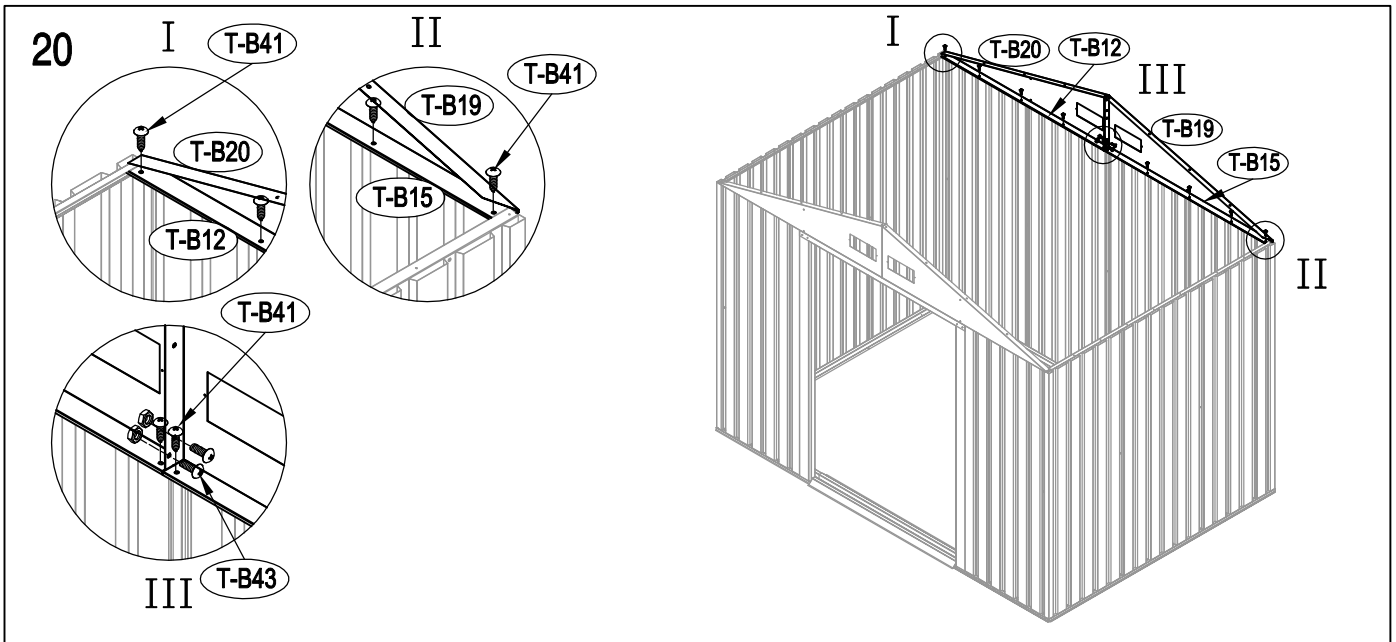
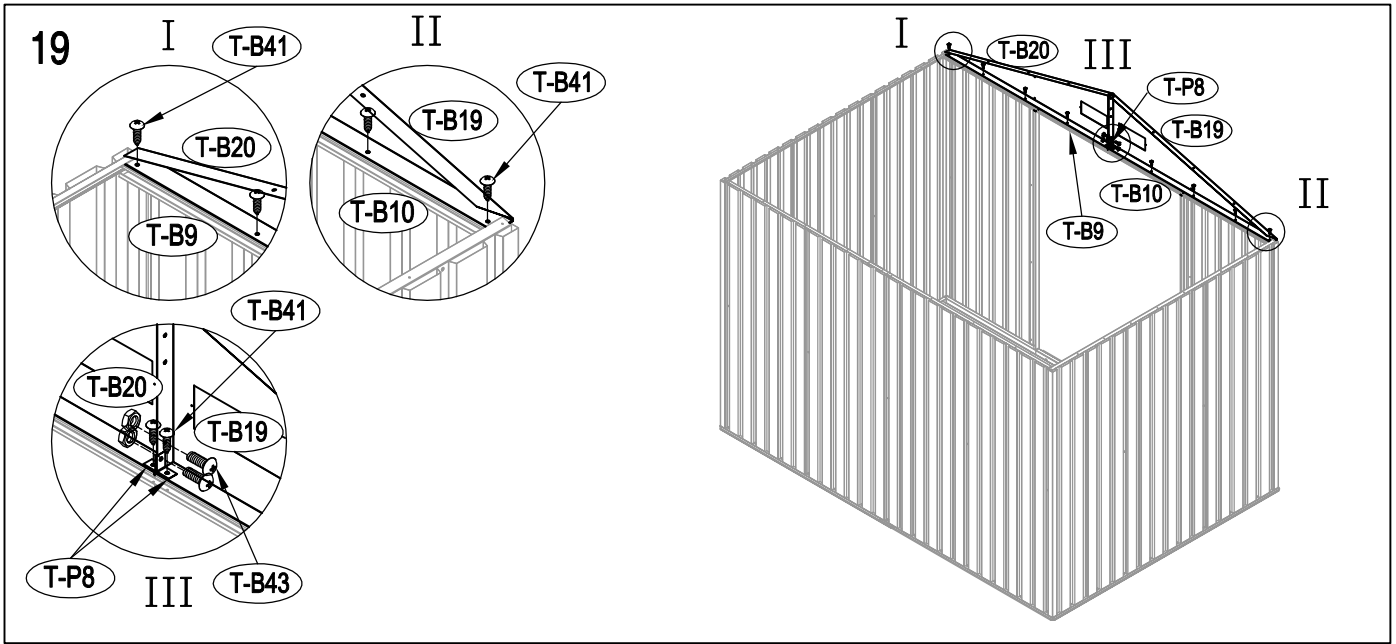


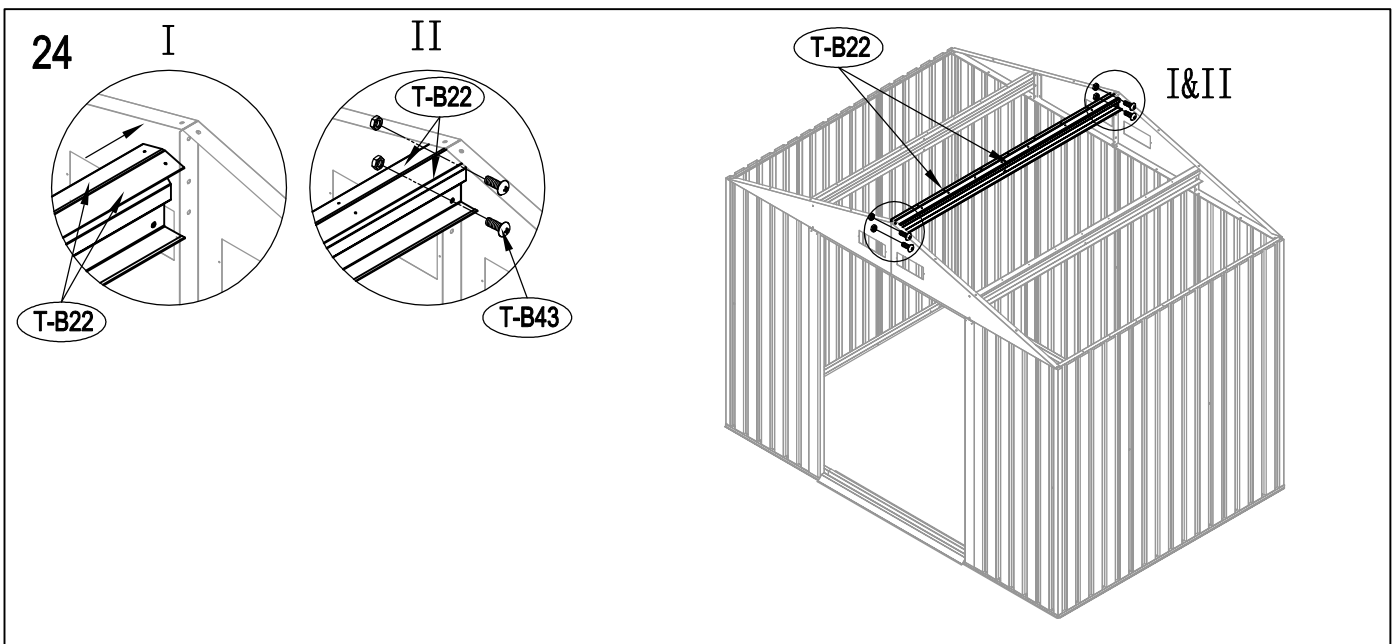
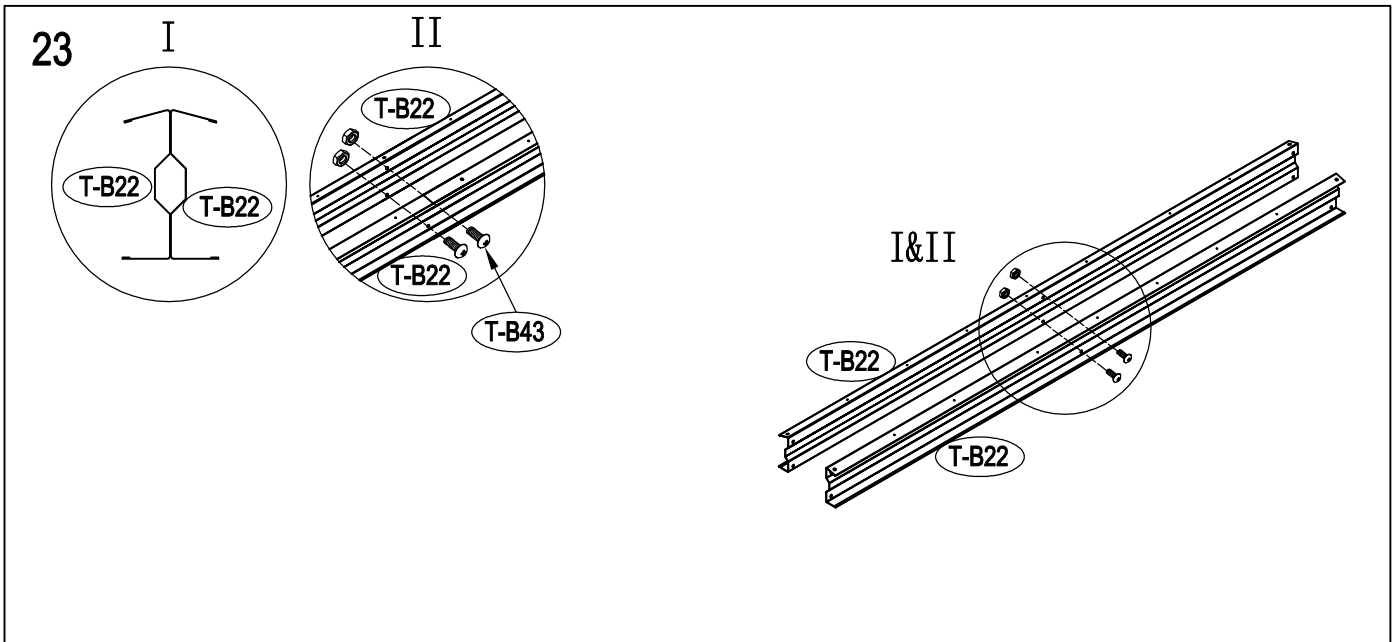
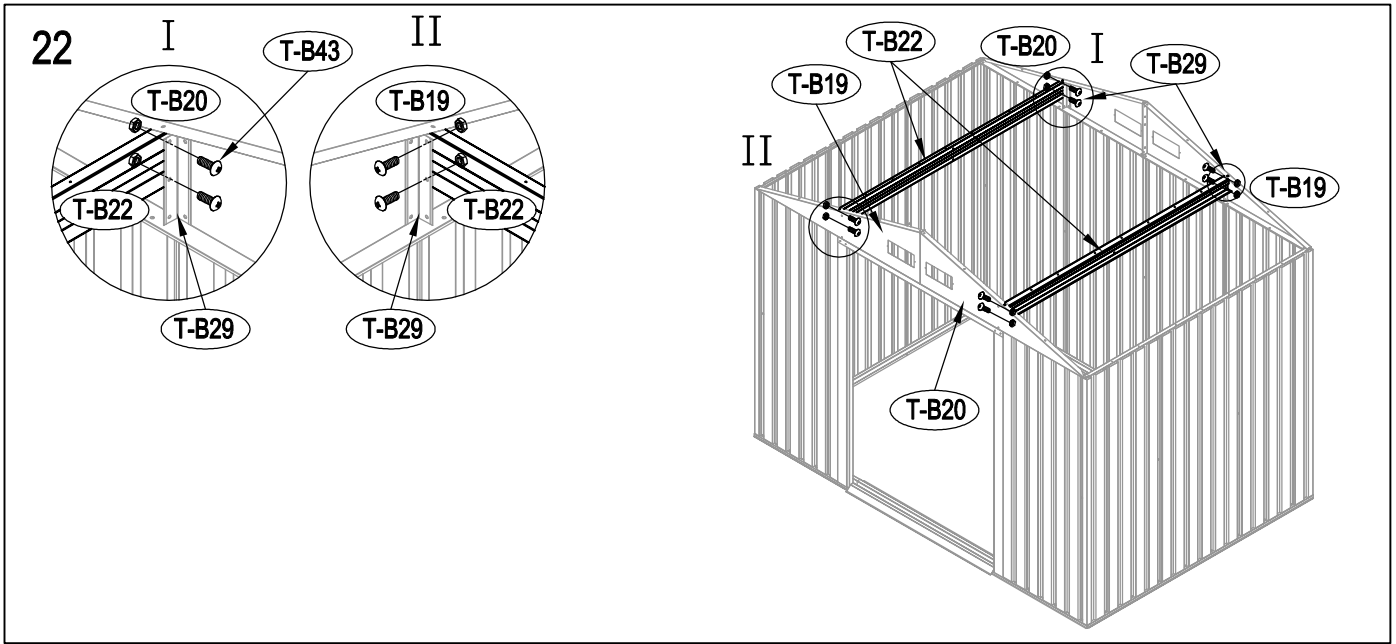


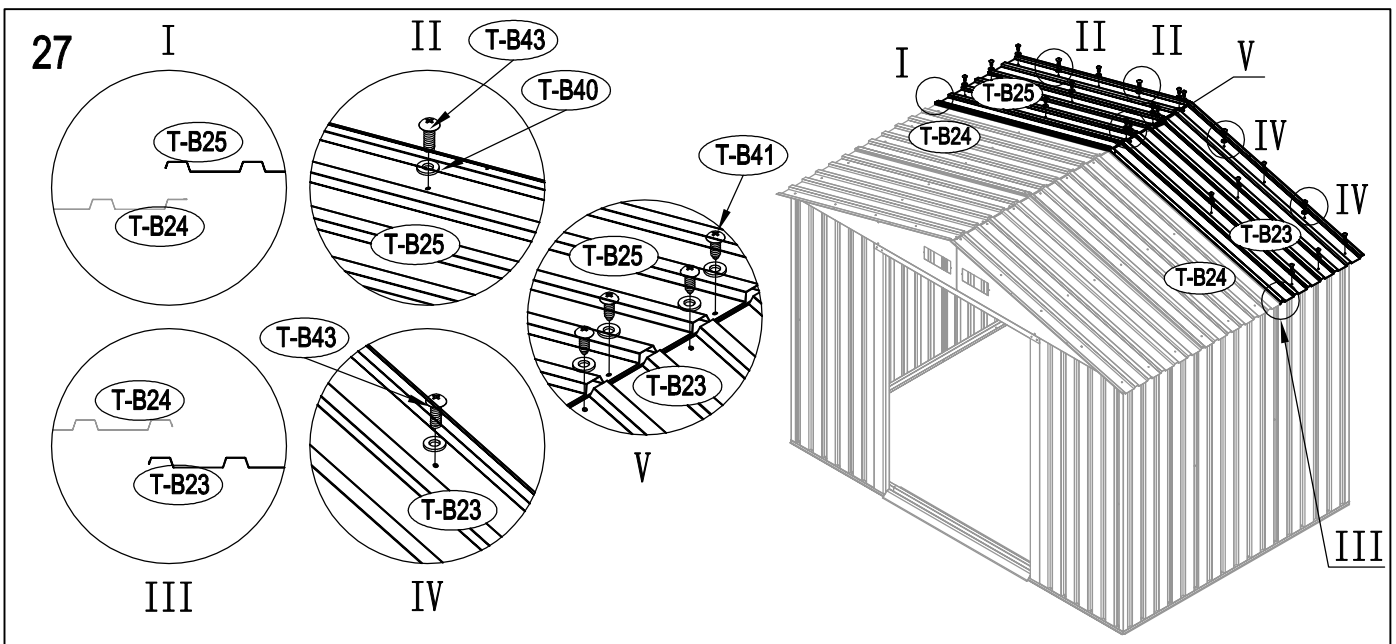
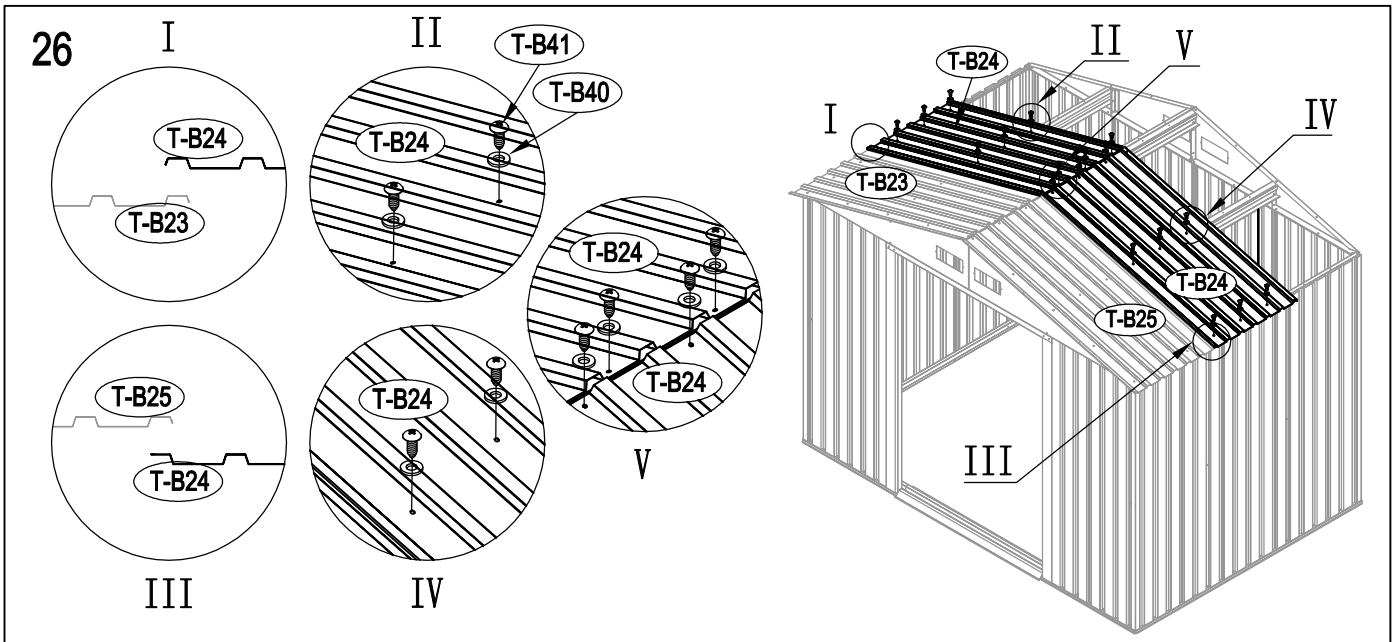
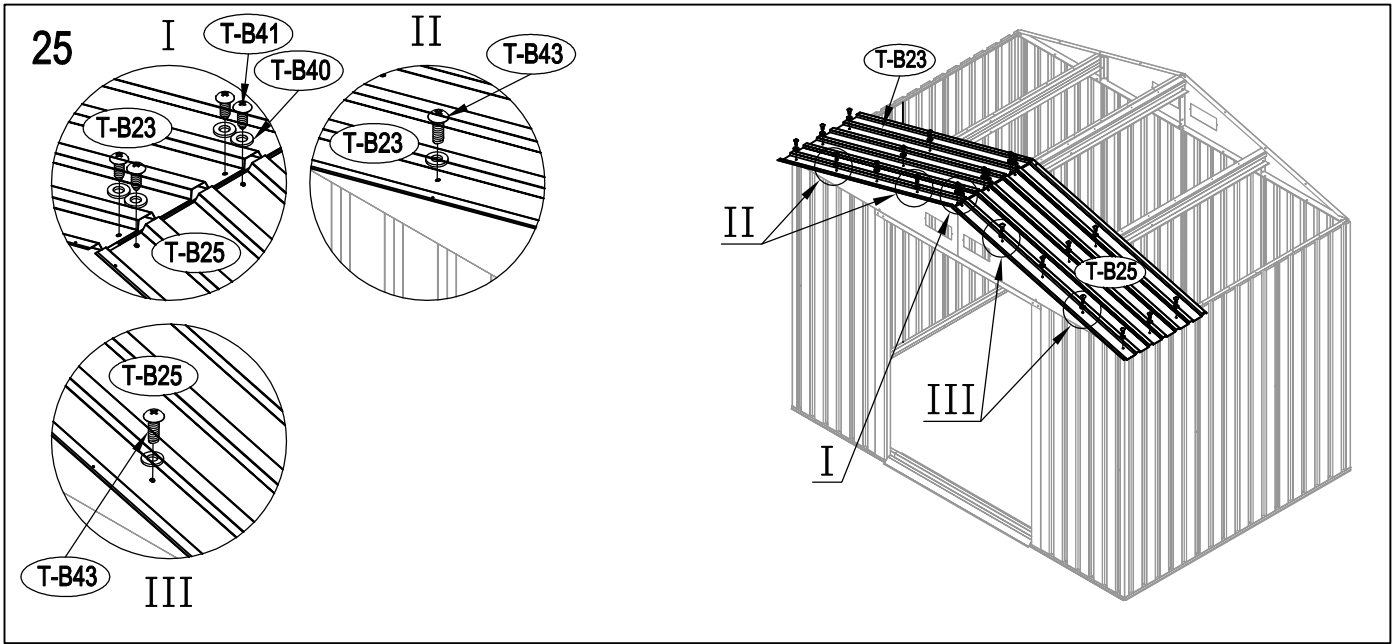


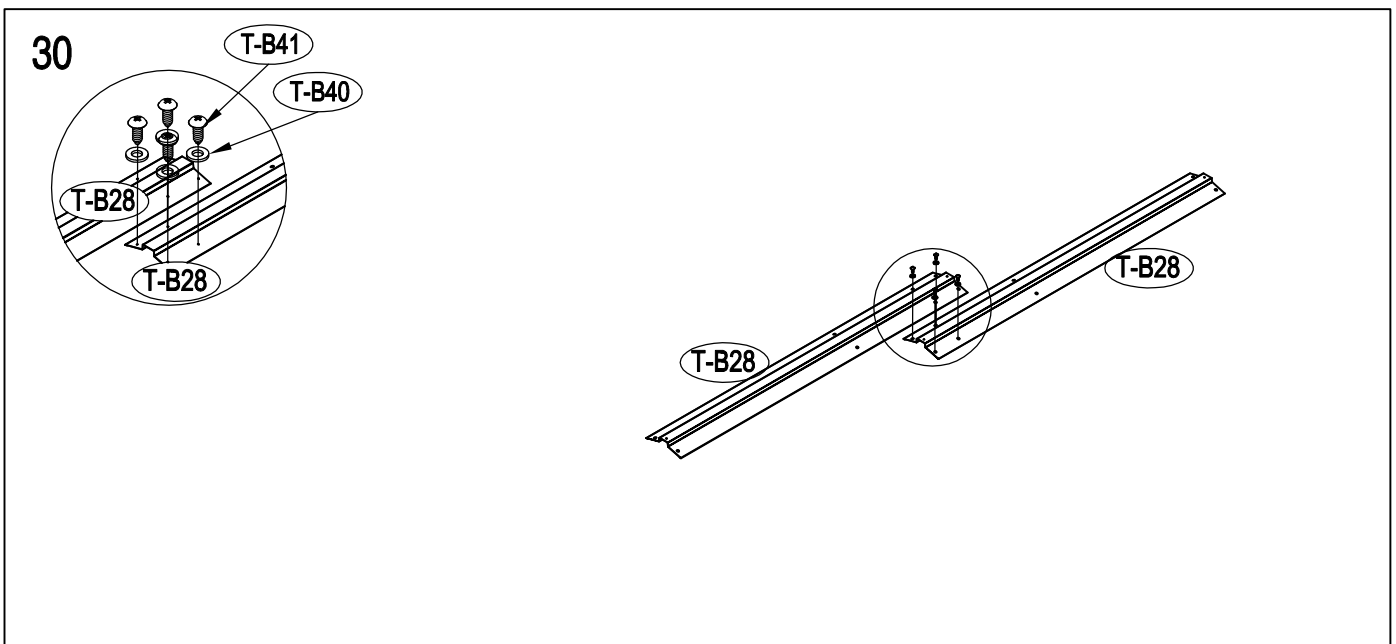
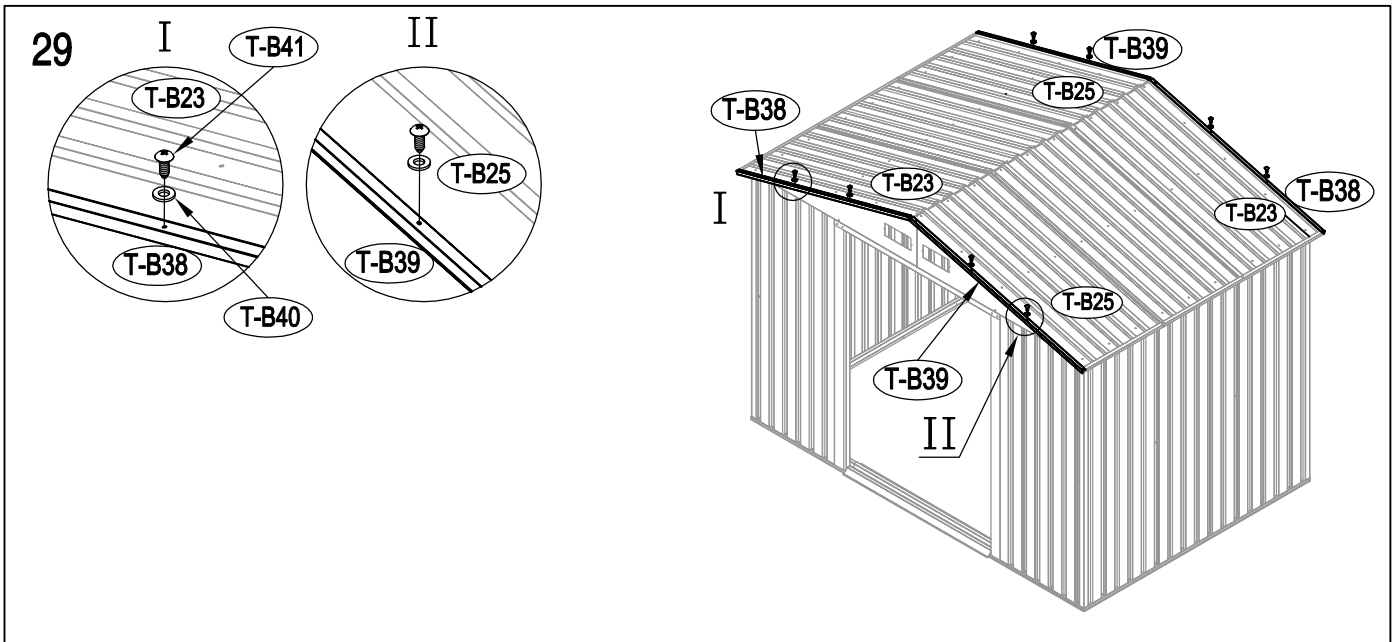
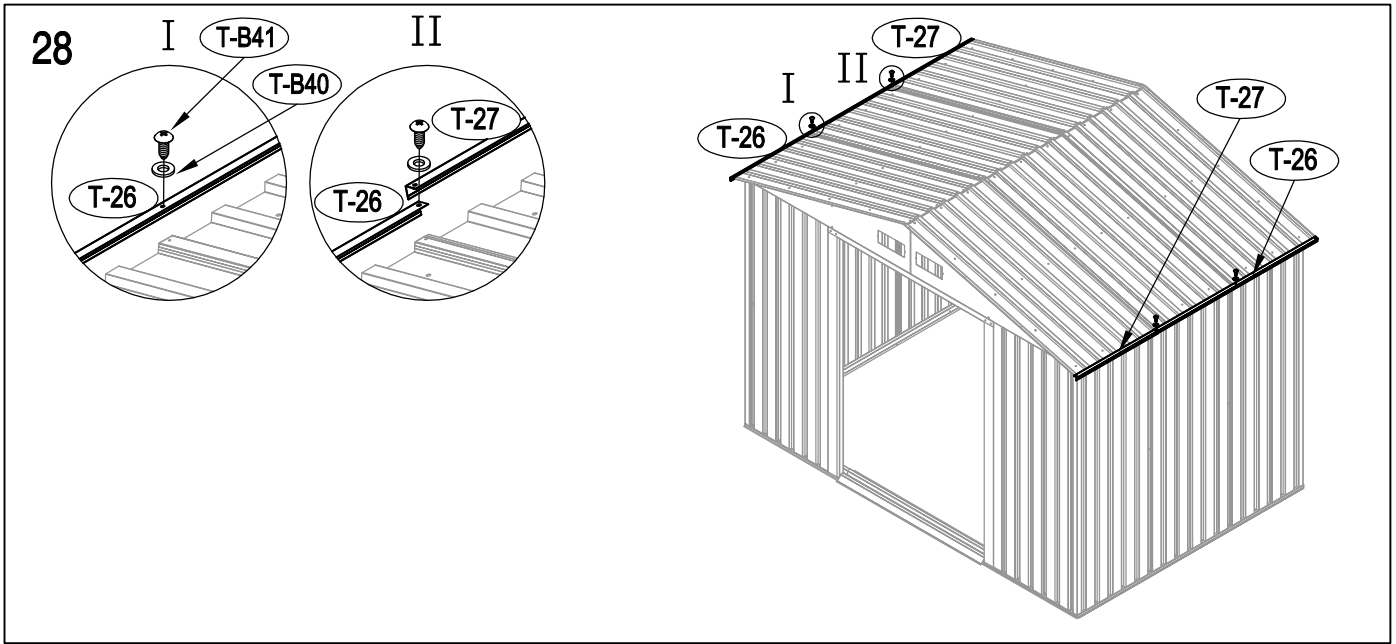


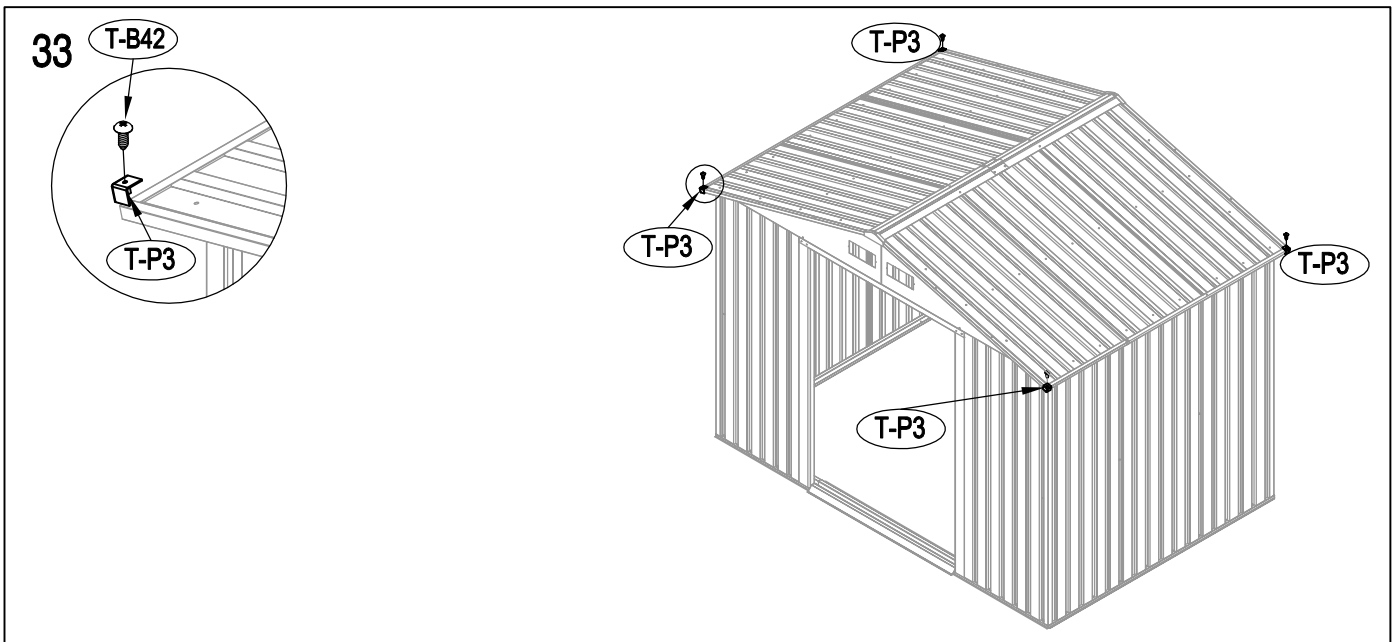
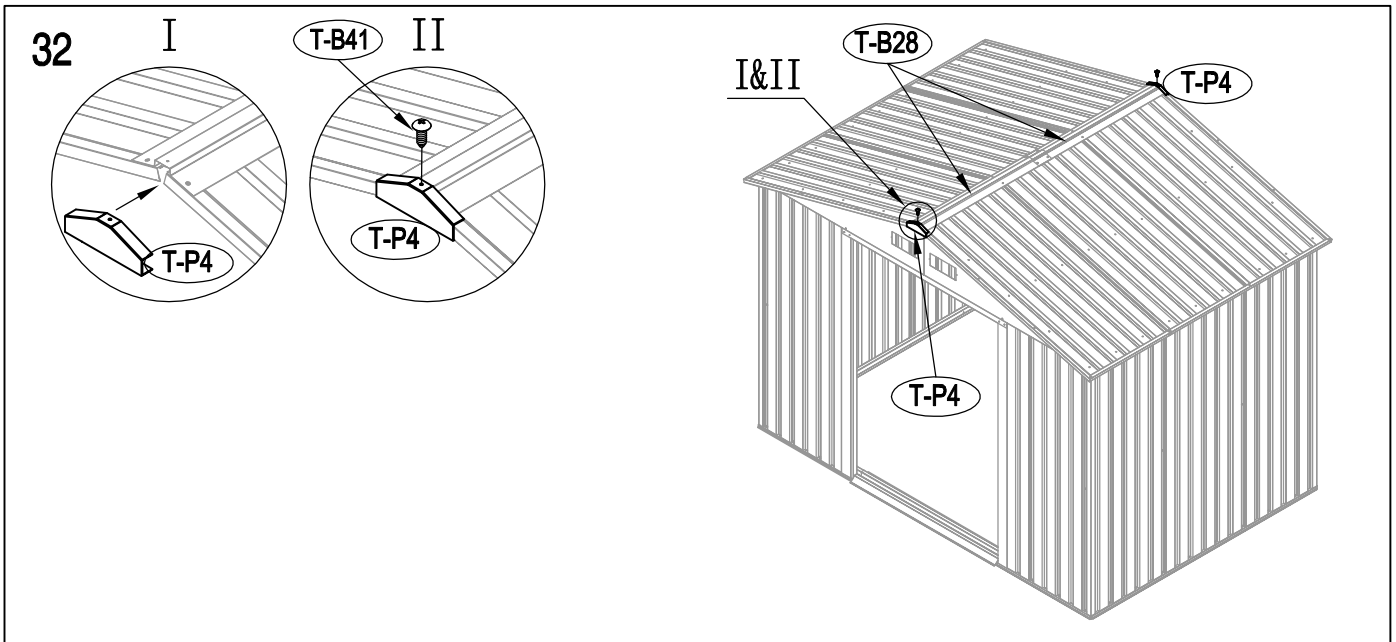
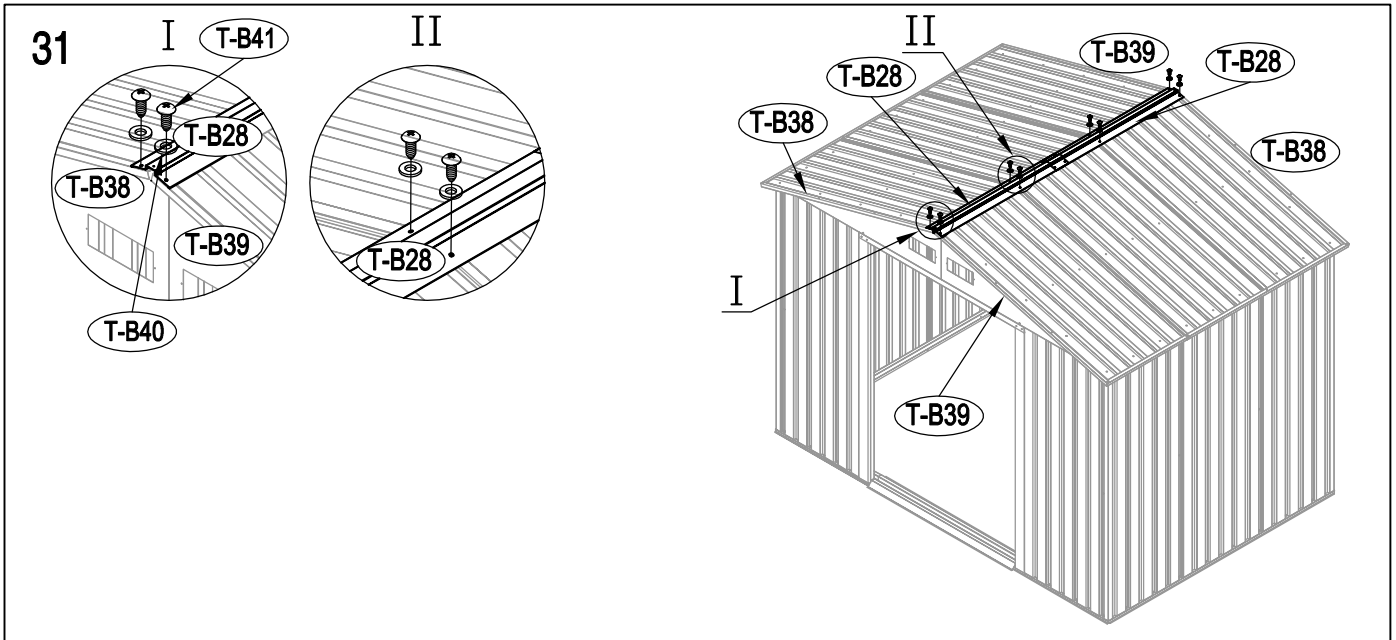




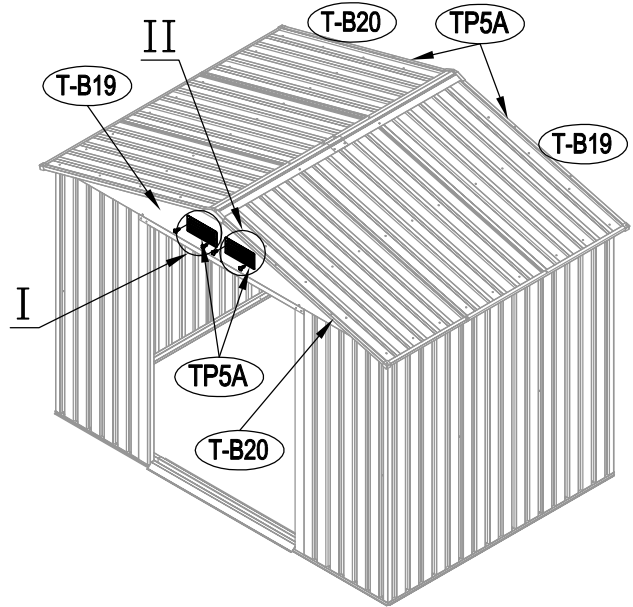
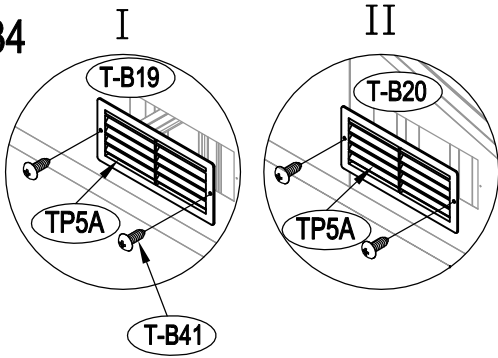




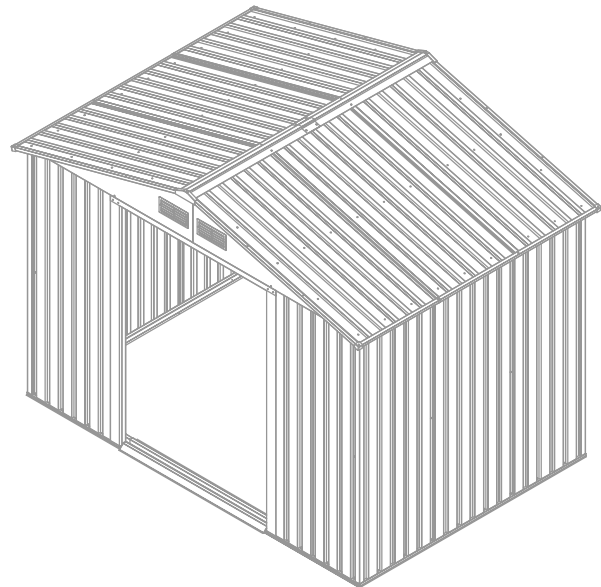
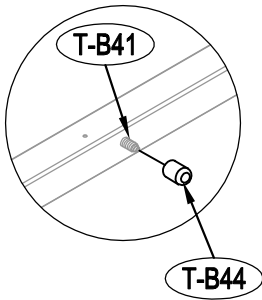




34



35



36

